



KAY PARK RECREATION

MAKING PLACES PEOPLE FRIENDLY • **SINCE 1954**

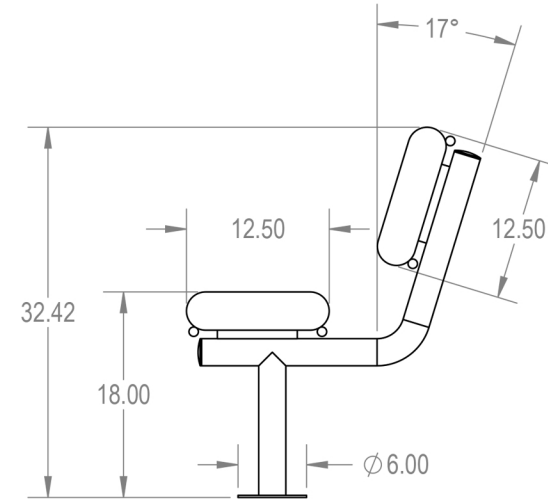
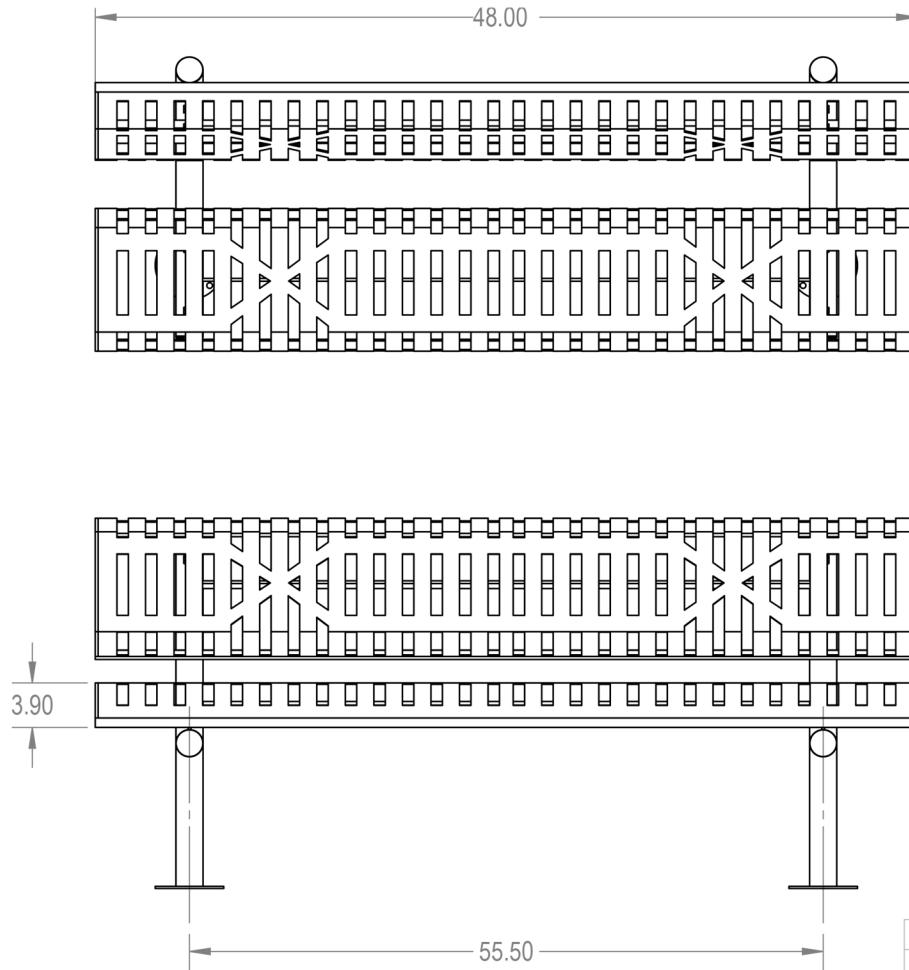
(800)553-2476 • sales@kaypark.com
1301 Pine St. Janesville, IA 50647

4' Surface Mount Slatted Bench

Model #: **MCRB4SSSM**

Weight: **118 Lbs**

Material: **Slatted Steel**



PROPRIETARY AND CONFIDENTIAL
THE INFORMATION CONTAINED IN THIS DRAWING IS THE SOLE PROPERTY OF Advantage Panels & Fence, Inc. PO Box 1790 Whitney, TX. ANY REPRODUCTION IN PART OR AS A WHOLE WITHOUT THE WRITTEN PERMISSION OF Advantage Panels & Fence, Inc. PO Box 1790 Whitney, TX. IS PROHIBITED.

	NAME	DATE
DRAWN	GM	8/9/2017
SALES APPR.		
CLIENT APPR.		
MFG APPR.		
Q.A.		
Design By -	CADWorksPro Chicago, IL www.cadworkspro.com	

AAdvantage Panels & Fence, Inc.

TITLE:

**Rolled Bench with Back
Surface Mnt - Slatted Steel**

SIZE	DWG. NO.	REV
A	?????	
WEIGHT:		SHEET 2 OF 2

