



KAY PARK RECREATION

MAKING PLACES PEOPLE FRIENDLY • **SINCE 1954**

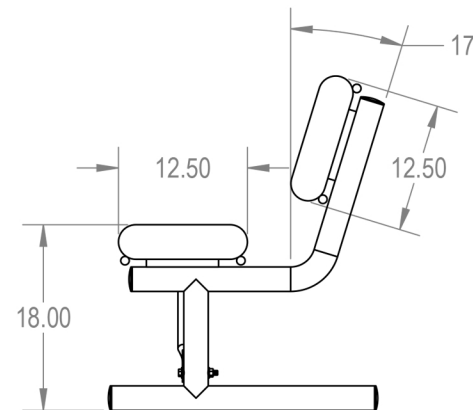
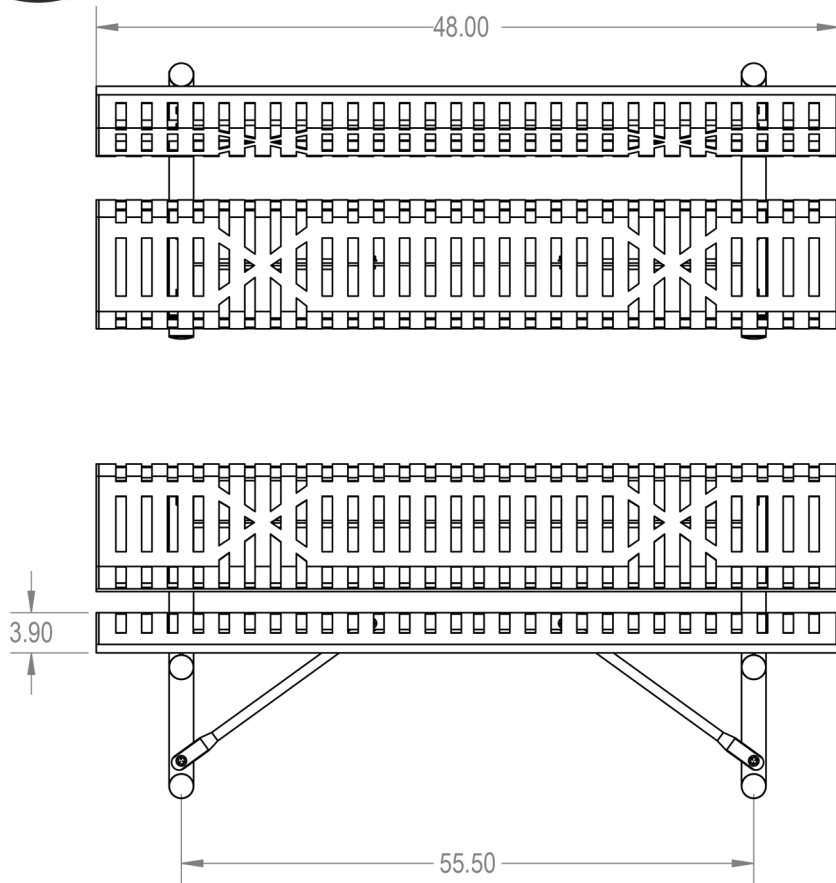
(800)553-2476 • sales@kaypark.com
1301 Pine St. Janesville, IA 50647

4' Portable Slatted Bench

Model #: **MCRB4SSP**

Weight: **136 Lbs**

Material: **Slatted Steel**



PROPRIETARY AND CONFIDENTIAL
THE INFORMATION CONTAINED IN THIS DRAWING IS THE SOLE PROPERTY OF Advantage Panels & Fence, Inc. PO Box 1790 Whitney, TX. ANY REPRODUCTION IN PART OR AS A WHOLE WITHOUT THE WRITTEN PERMISSION OF Advantage Panels & Fence, Inc. PO Box 1790 Whitney, TX. IS PROHIBITED.

	NAME	DATE	AAdvantage Panels & Fence, Inc.		
DRAWN	GM	8/9/2017	TITLE:		
SALES APPR.			Rolled Bench with Back		
CLIENT APPR.			Portable- Slatted Steel		
MFG APPR.			SIZE	DWG. NO.	REV
Q.A.			A	?????	
Design By -			WEIGHT:		SHEET 2 OF 2
CADWorksPro Chicago, IL					
www.cadworkspro.com					

