



KAY PARK RECREATION

MAKING PLACES PEOPLE FRIENDLY • **SINCE 1954**

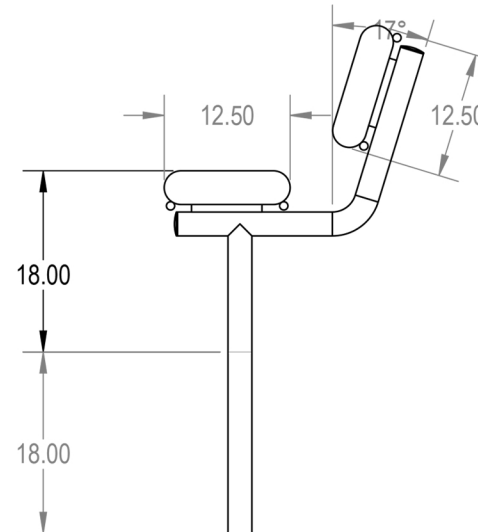
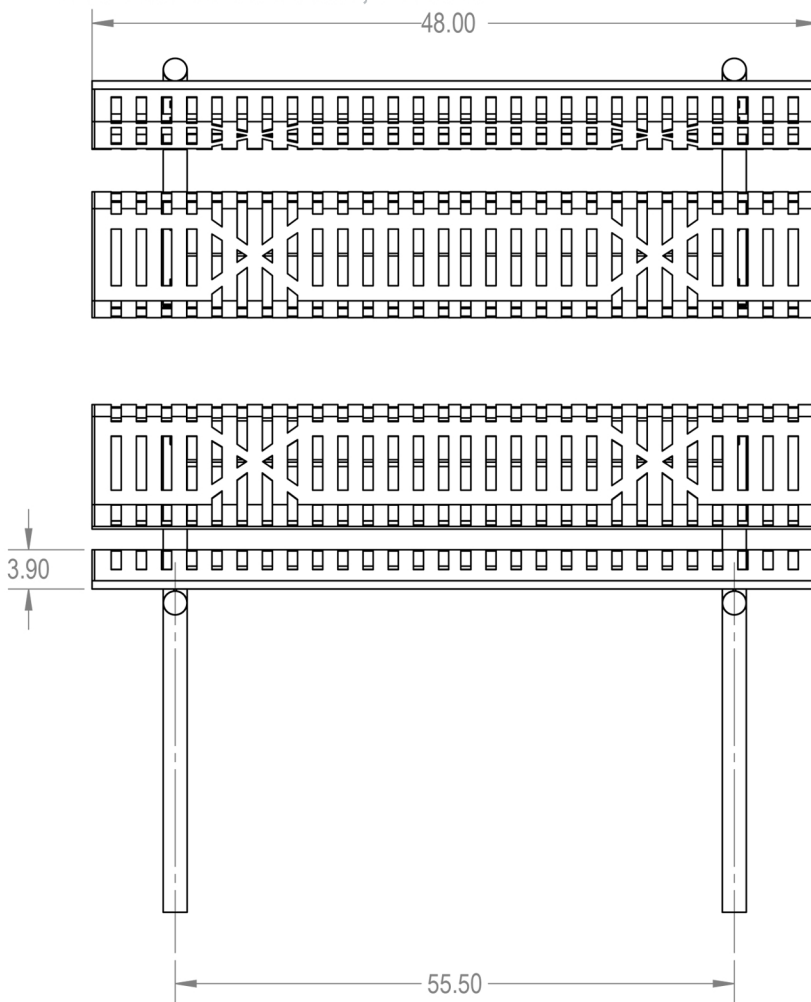
(800)553-2476 • sales@kaypark.com
1301 Pine St. Janesville, IA 50647

4' In-Ground Slatted Bench

Model #: **MCRB4SSIG**

Weight: **125 Lbs**

Material: **Slatted Steel**



PROPRIETARY AND CONFIDENTIAL
THE INFORMATION CONTAINED IN THIS DRAWING IS THE SOLE PROPERTY OF Advantage Panels & Fence, Inc. PO Box 1790 Whitney, TX. ANY REPRODUCTION IN PART OR AS A WHOLE WITHOUT THE WRITTEN PERMISSION OF Advantage Panels & Fence, Inc. PO Box 1790 Whitney, TX. IS PROHIBITED.

NAME	DATE	AAdvantage Panels & Fence, Inc.	
DRAWN	GM	8/9/2017	TITLE:
SALES APPR.			Rolled Bench with Back InGround- Slatted Steel
CLIENT APPR.			
MFG APPR.			
Q.A.			
Design By -		SIZE	DWG. NO.
CADWorksPro Chicago, IL		A	?????
www.cadworkspro.com		WEIGHT:	REV
			1

