



KAY PARK RECREATION

MAKING PLACES PEOPLE FRIENDLY • **SINCE 1954**

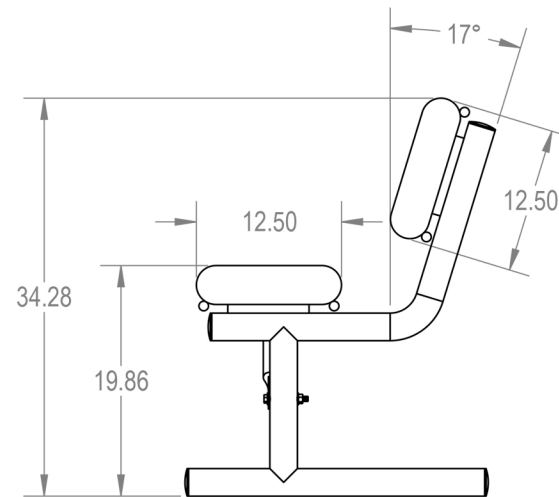
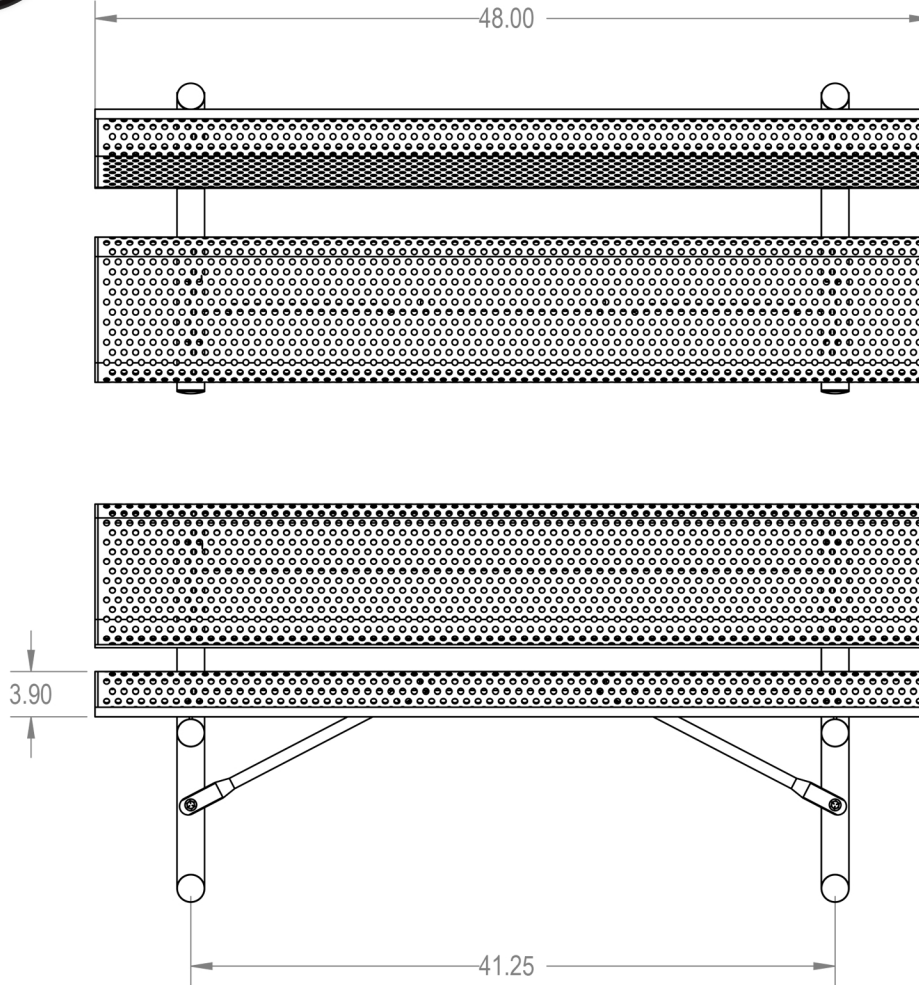
(800)553-2476 • sales@kaypark.com
1301 Pine St. Janesville, IA 50647

4' Portable Punched Steel

Model #: **MCRB4PSP**

Weight: **111 Lbs**

Material: **Punched Steel**



PROPRIETARY AND CONFIDENTIAL
THE INFORMATION CONTAINED IN THIS DRAWING IS THE SOLE PROPERTY OF Advantage Panels & Fence, Inc. PO Box 1790 Whitney, TX. ANY REPRODUCTION IN PART OR AS A WHOLE WITHOUT THE WRITTEN PERMISSION OF Advantage Panels & Fence, Inc. PO Box 1790 Whitney, TX. IS PROHIBITED.

	NAME	DATE
DRAWN	GM	2/8/2015
SALES APPR.		
CLIENT APPR.		
MFG APPR.		
Q.A.		
Design By -	CADWorksPro Chicago, IL	
	www.cadworkspro.com	

A Advantage Panels & Fence, Inc.

TITLE:
4Ft Rolled Bench with Back
Portable - Perforated Metal

SIZE	DWG. NO.	REV
A	BRE04-B-18-000	

WEIGHT:	SHEET 3 OF 3
---------	--------------

