



KAY PARK RECREATION

MAKING PLACES PEOPLE FRIENDLY • **SINCE 1954**

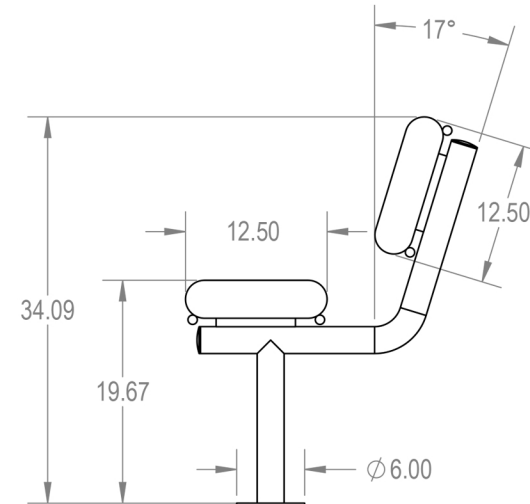
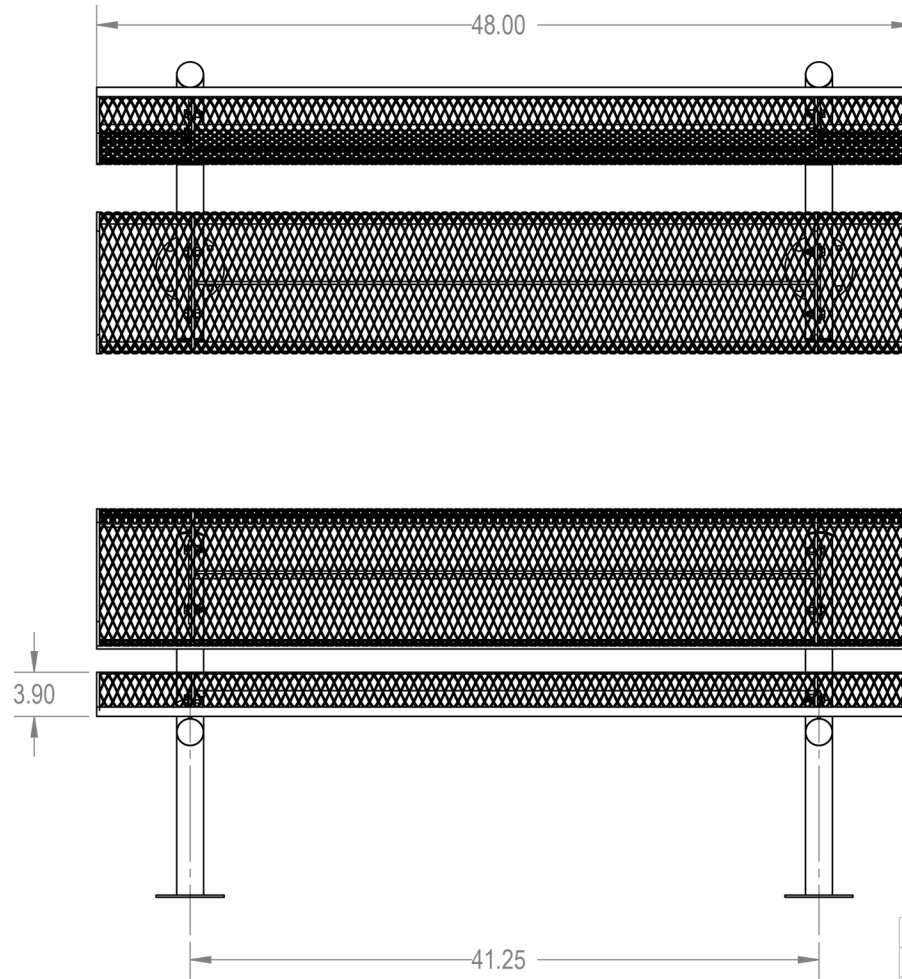
(800)553-2476 • sales@kaypark.com
1301 Pine St. Janesville, IA 50647

4' Surface Mount Expanded Metal

Model #: **MCRB4EXPSM**

Weight: **91 Lbs**

Material: **Expanded Metal**



PROPRIETARY AND CONFIDENTIAL
THE INFORMATION CONTAINED IN THIS DRAWING IS THE SOLE PROPERTY OF Aadvantage Panels & Fence, Inc. PO Box 1790 Whitney, TX. ANY REPRODUCTION IN PART OR AS A WHOLE WITHOUT THE WRITTEN PERMISSION OF Aadvantage Panels & Fence, Inc. PO Box 1790 Whitney, TX. IS PROHIBITED.

| | NAME | DATE |
|--------------|--|----------|
| DRAWN | GM | 2/8/2015 |
| SALES APPR. | | |
| CLIENT APPR. | | |
| MFG APPR. | | |
| Q.A. | | |
| Design By - | CADWorksPro Chicago, IL www.cadworkspro.com | |

| | | |
|--|-----------------------------------|--------------|
| AAdvantage Panels & Fence, Inc. | | |
| TITLE: 4Ft Rolled Bench with Back Surface Mnt - Expanded Metal | | |
| SIZE A | DWG. NO. BRE04-A-20-000 | REV |
| WEIGHT: | | SHEET 2 OF 3 |

