



KAY PARK RECREATION

MAKING PLACES PEOPLE FRIENDLY • **SINCE 1954**

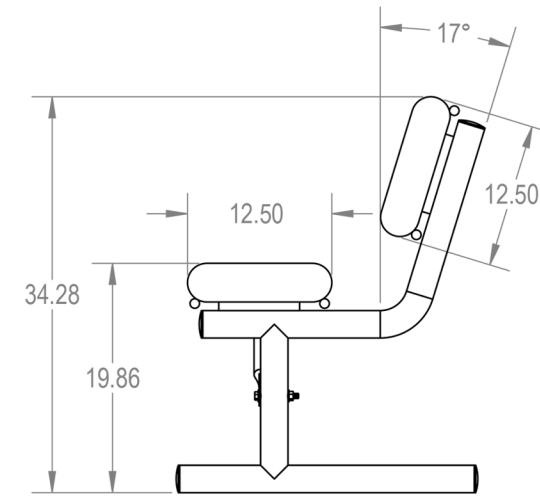
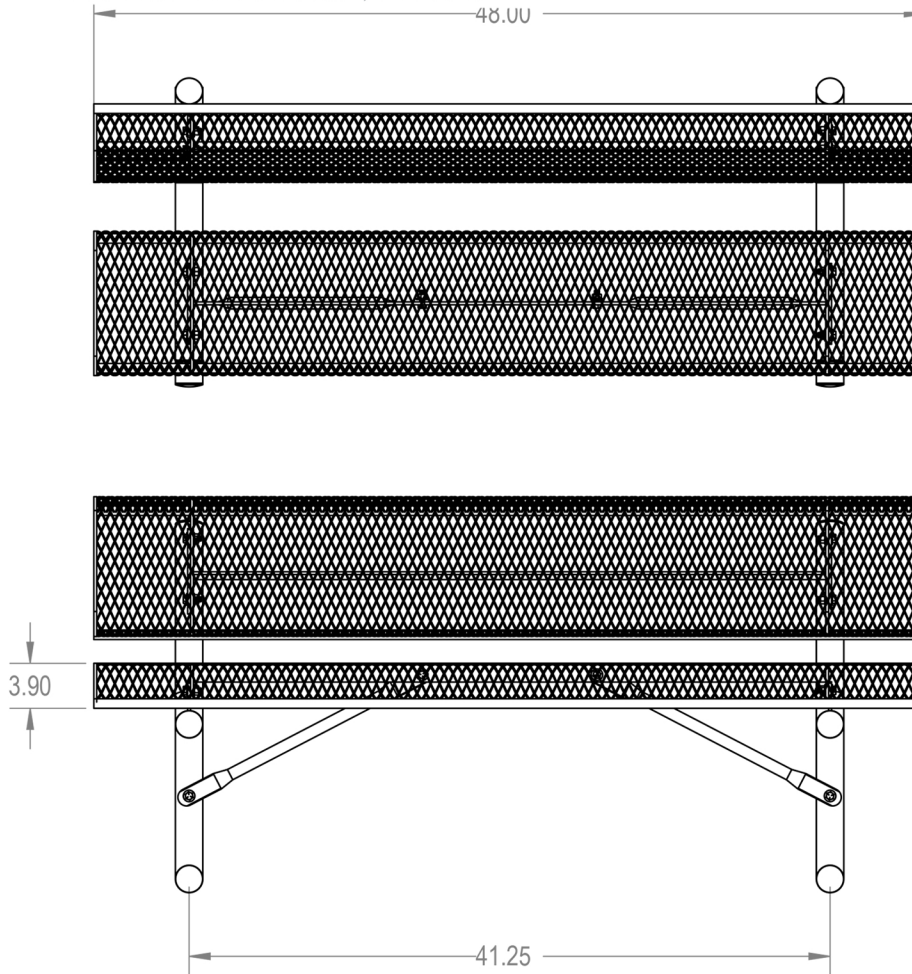
(800)553-2476 • sales@kaypark.com
1301 Pine St. Janesville, IA 50647

4' Portable Expanded Metal

Model #: **MCBR4EXPP**

Weight: **105 Lbs**

Material: **Expanded Metal**



PROPRIETARY AND CONFIDENTIAL
THE INFORMATION CONTAINED IN THIS DRAWING IS THE SOLE PROPERTY OF Advantage Panels & Fence, Inc. PO Box 1790 Whitney, TX. ANY REPRODUCTION IN PART OR AS A WHOLE WITHOUT THE WRITTEN PERMISSION OF Advantage Panels & Fence, Inc. PO Box 1790 Whitney, TX. IS PROHIBITED.

	NAME	DATE	AAdvantage Panels & Fence, Inc.	
DRAWN	GM	2/8/2015	TITLE:	
SALES APPR.			4Ft Rolled Bench with Back	
CLIENT APPR.			Portable - Expanded Metal	
MFG APPR.			SIZE	DWG. NO.
Q.A.			A	BRE04-A-18-000
Design By -	CADWorksPro Chicago, IL		REV	
	www.cadworkspro.com		WEIGHT:	SHEET 2 OF 3

