



KAY PARK RECREATION

MAKING PLACES PEOPLE FRIENDLY • **SINCE 1954**

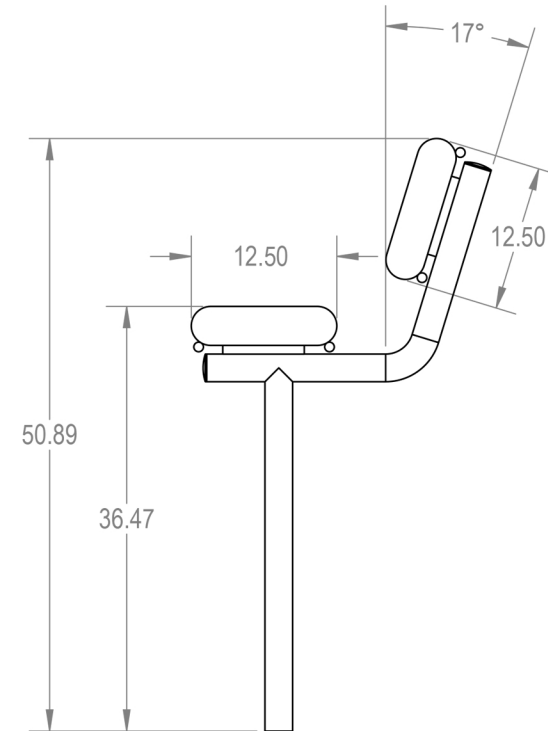
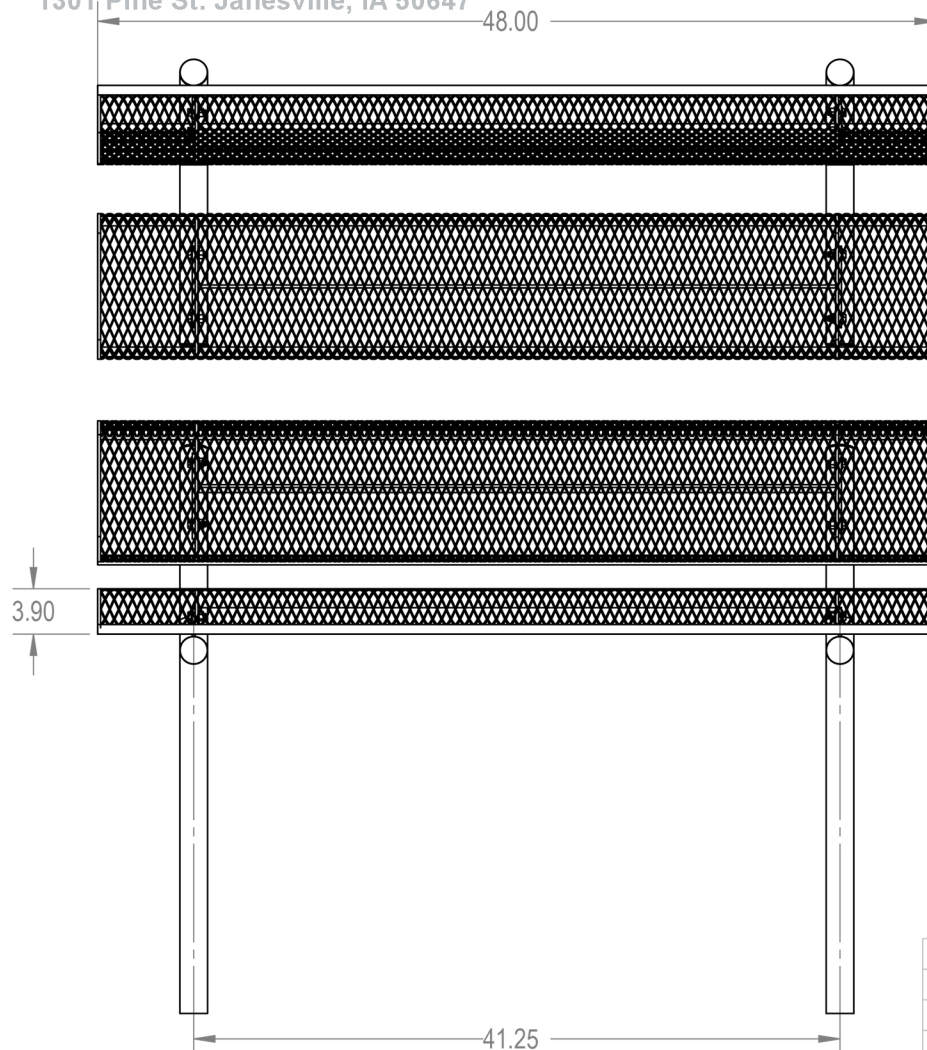
(800)553-2476 • sales@kaypark.com
1301 Pine St. Janesville, IA 50647

4' In-Ground Expanded Metal

Model #: **MCBR4EXPIG**

Weight: **96 Lbs**

Material: **Expanded Metal**



PROPRIETARY AND CONFIDENTIAL
THE INFORMATION CONTAINED IN THIS DRAWING IS THE SOLE PROPERTY OF Advantage Panels & Fence, Inc. PO Box 1790 Whitney, TX. ANY REPRODUCTION IN PART OR AS A WHOLE WITHOUT THE WRITTEN PERMISSION OF Advantage Panels & Fence, Inc. PO Box 1790 Whitney, TX. IS PROHIBITED.

	NAME	DATE
DRAWN	GM	2/8/2015
SALES APPR.		
CLIENT APPR.		
MFG APPR.		
Q.A.		
Design By -	CADWorksPro Chicago, IL www.cadworkspro.com	

AAdvantage Panels & Fence, Inc.

TITLE:
**4Ft Rolled Bench with Back
InGround - Expanded Metal**

SIZE	DWG. NO.	REV
A	BRE04-A-19-000	

WEIGHT: SHEET 2 OF 3

