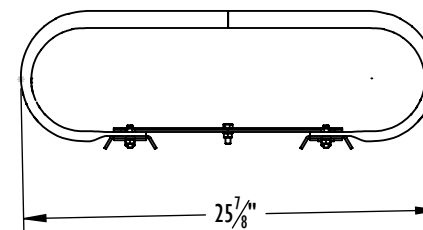
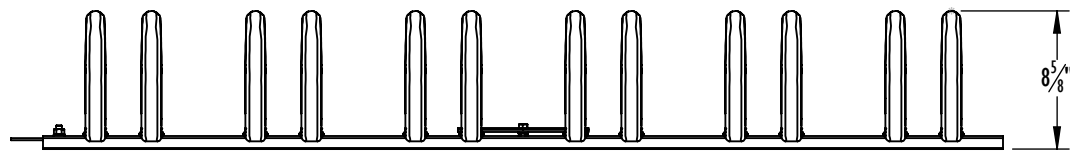


CONNECTOR PLATE  
(USE ONLY WHEN 2 OR MORE  
SECTIONS ARE PUT TOGETHER)

FORMED STEEL 10ga

1 1/16"OD x 14ga (.083) GALV.TUBE



**UNIT WEIGHT: 62.75 LBS.**

GENERAL NOTES

DIMENSIONS ARE IN INCHES  
TOLERANCES: LINEAR: ± 1/16  
ANGULAR: ± 1°



SHEET SIZE

**A**

SCALE

1:12

REV



**K Industries, Inc.**

CONFIDENTIAL DRAWING.  
INFORMATION IS NOT TO BE COPIED OR  
DISCLOSED TO OTHERS WITHOUT  
CONSENT OF KAY INDUSTRIES.  
SPECIFICATIONS SUBJECT TO CHANGE  
WITHOUT NOTICE.

DRAWN BY

DAT

1/25/2012

DESC:

LOW PROFILE BIKE RACK 5' W/ 6 SPACES (ALL PARTS GAL.TUBE)

APPROVED

MATL:

LAST SAVED

davet

11/19/2018

**PART NO: 4052**

Built In House

PATH TO PART OR ASSM - S:\CADDRWGS\Solidworks\Bicycle Racks\Low Profile\

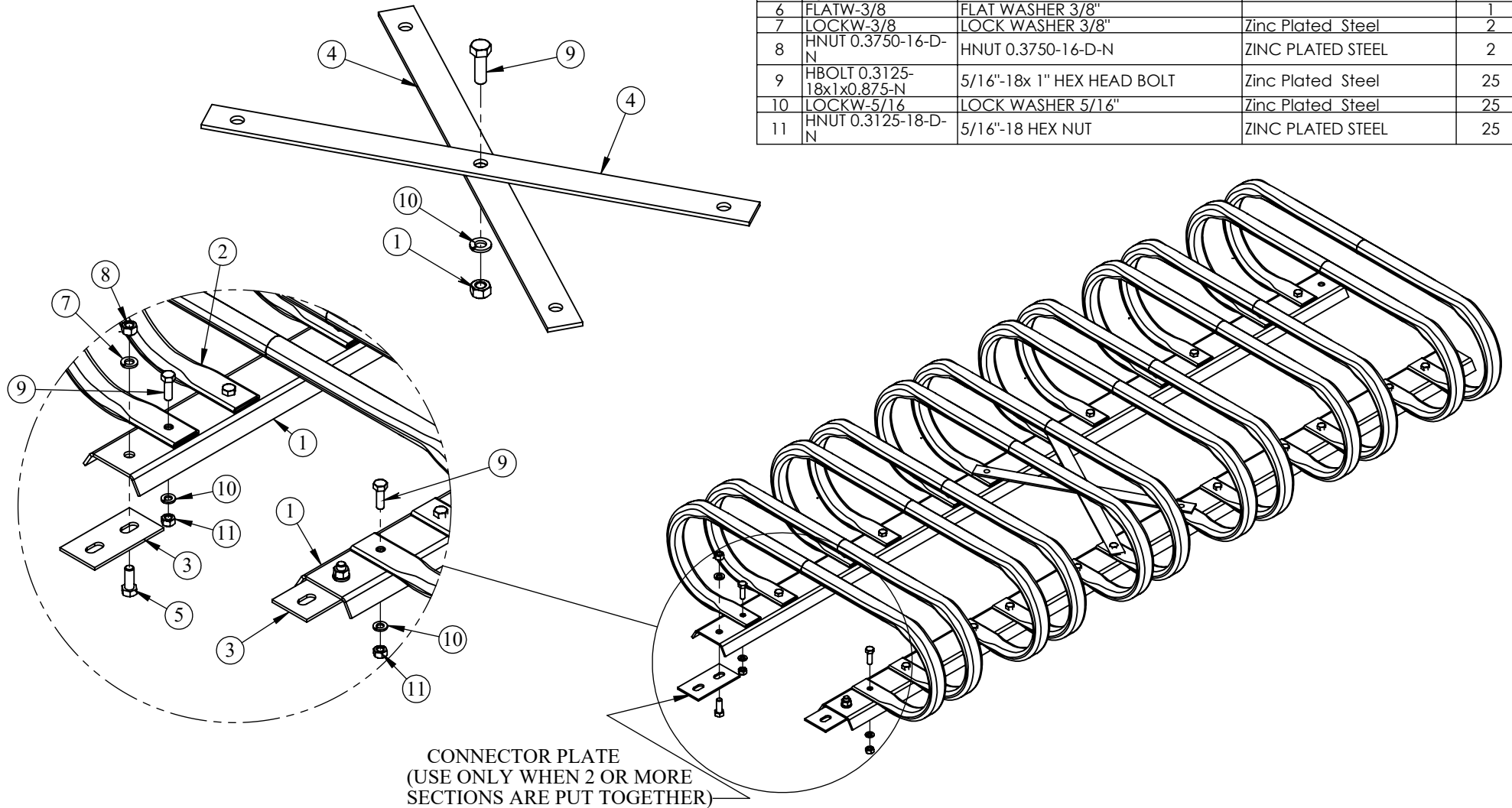
Configuration - Default

11/19/2018 09:31:20

SHEET 1 OF 3

**CARE & MAINTENANCE FOR KAY PARK, LOW PROFILE SERIES BICYCLE RACKS**  
 Periodically (at least once a year) check to make sure all bolts and nuts are in place and tight. Replacement parts may be purchased by calling Kay Park-Rec Corp. at 1-800-553-2476.

NO.	PART NUMBER	DESCRIPTION	MATERIAL	QTY.
1	LPBR-299	LOW PROFILE BIKE RACK BASE RAIL	10 GAUGE (.1345) SHEET STEEL A-36	2
2	LPBR-204	BIKE RACK TIRE LOOP LOW PROFILE	1.029 OD x 14 GA (.083) MECH TUBING GALVANIZED A500	12
3	LPBR-298	LPBR CONNECTOR PLATE 4"	1/8"x 2" STEEL FLAT A-36	2
4	LPBR-200	LOW RISE BIKE RACK CROSS BRACE	1/8"x 1" HR FLAT A36	2
5	HBOLT 0.3750-16x1x1-N	HEX HEAD BOLT 0.3750-16x 1.00	Zinc Plated Steel	2
6	FLATW-3/8	FLAT WASHER 3/8"		1
7	LOCKW-3/8	LOCK WASHER 3/8"	Zinc Plated Steel	2
8	HNUT 0.3750-16-D-N	HNUT 0.3750-16-D-N	ZINC PLATED STEEL	2
9	HBOLT 0.3125-18x1x0.875-N	5/16"-18x 1" HEX HEAD BOLT	Zinc Plated Steel	25
10	LOCKW-5/16	LOCK WASHER 5/16"	Zinc Plated Steel	25
11	HNUT 0.3125-18-D-N	5/16"-18 HEX NUT	ZINC PLATED STEEL	25



**GENERAL NOTES**

DIMENSIONS ARE IN INCHES  
 TOLERANCES: LINEAR: ± 1/16  
 ANGULAR: ± 1°



CONFIDENTIAL DRAWING.  
 INFORMATION IS NOT TO BE COPIED OR  
 DISCLOSED TO OTHERS WITHOUT  
 CONSENT OF KAY INDUSTRIES.  
 SPECIFICATIONS SUBJECT TO CHANGE  
 WITHOUT NOTICE.

SHEET SIZE

**A**

SCALE

**1:10**

REV



**K Industries, Inc.**

DRAWN BY

DAT

1/25/2012

DESC:

LOW PROFILE BIKE RACK 5' W/ 6 SPACES (ALL PARTS GAL.TUBE)

APPROVED

MATL:

LAST SAVED

davet

11/19/2018

**PART NO: 4052**

Built In House

PATH TO PART OR ASSM - S:\CADDRWGS\Solidworks\Bicycle Racks\Low Profile\

Configuration - Default

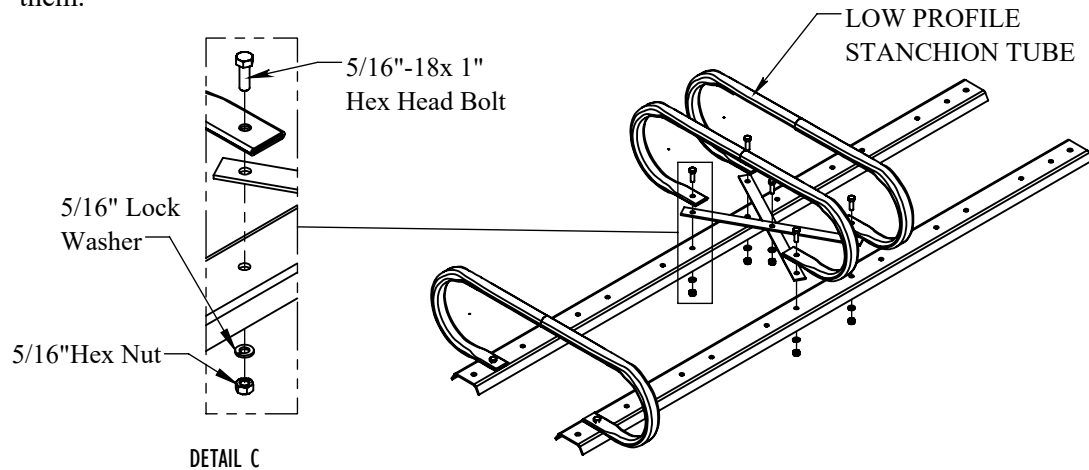
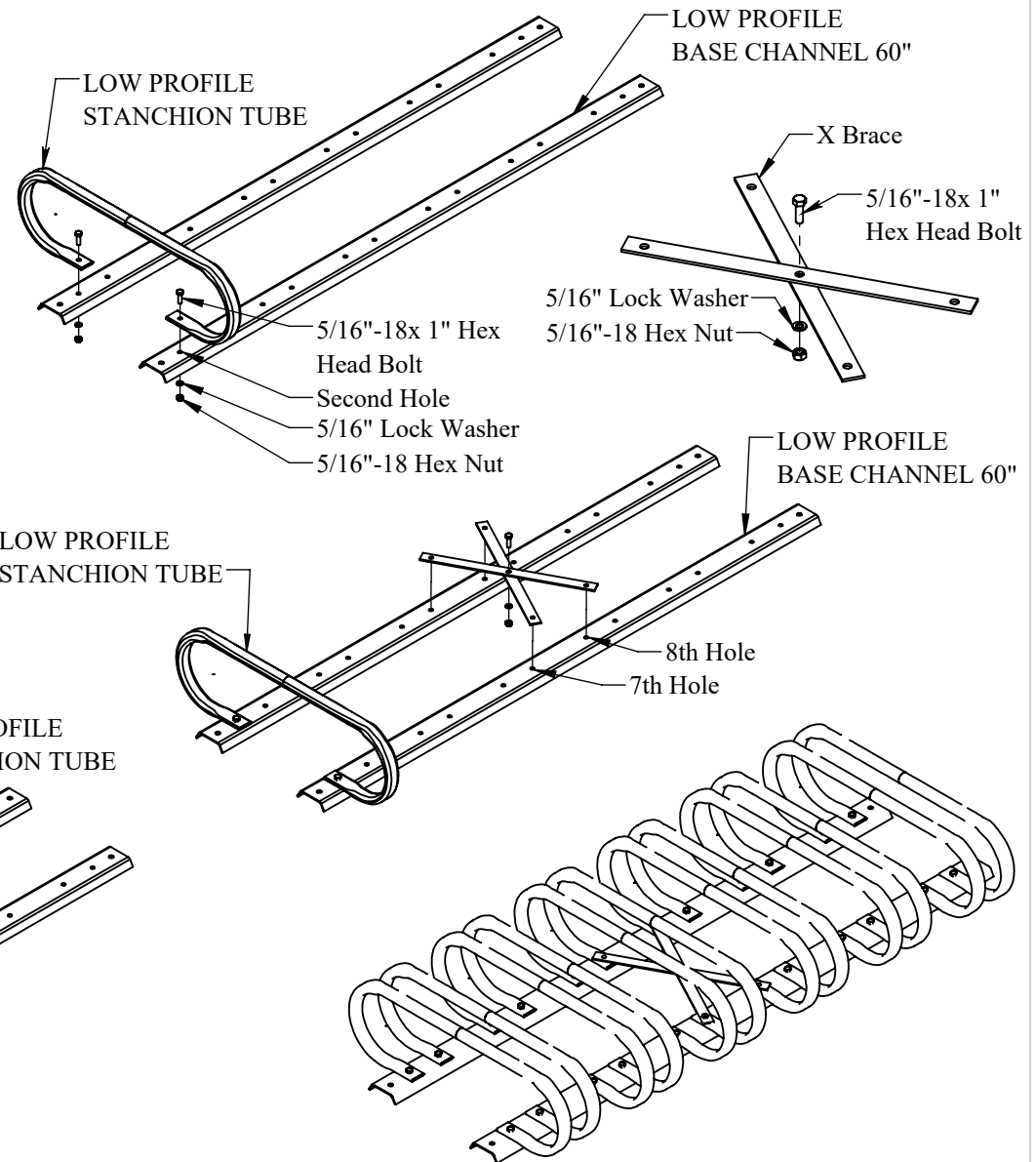
11/19/2018 09:31:20

SHEET 2 OF 3

**SEE ANCHOR KIT DETAIL PAGE IF YOU ARE USING THE ANCHOR KIT # 4100**

- 1) Starting with the second hole from either end, place a flattened **LOW PROFILE STANCHION TUBE** over the hole and insert a 5/16"-18x 1" Hex Head Bolt through the top of the tube down through the **LOW PROFILE BASE CHANNEL 60"**, then place a 5/16" Lock Washer and a 5/16" Hex Nut on the bolt.
- 2) Place another **LOW PROFILE BASE CHANNEL 60"** under the other end of the flattened **LOW PROFILE STANCHION TUBE** and Insert a 5/16"-19x 1" Hex Head Bolt Through the **LOW PROFILE STANCHION TUBE** secure with a 5/16" Lock Washer and a 5/16" Hex Nut
- 3) On the 7th hole place a **X BRACE** on the **LOW PROFILE BASE CHANNEL 60"**, then place another **LOW PROFILE STANCHION TUBE**. Insert the 5/16"-18x 1" Hex Head Bolt through assembly and secure it with a 5/16" Lock Washer and a 5/16" Hex Nut.
- 4) The diagonal brace will go to 8th hole from the end on the other base, then place another **LOW PROFILE STANCHION TUBE** over the X Brace and insert the 5/16"-18x 1" Hex Head Bolt through the assembly and secure it with a 5/16" Lock Washer and a 5/16" Hex Nut on the end.
- 5) Place all other low Profile Stanchion Tubes and X Braces on in the same manner. When all of the bolts are in place you can tighten all of them.

**IMPORTANT: LEAVE THE NUTS LOOSE UNTIL ALL ARE IN PLACE.**



**GENERAL NOTES**

DIMENSIONS ARE IN INCHES  
TOLERANCES: LINEAR: ± 1/16  
ANGULAR: ± 1°



SHEET SIZE

**A**

SCALE

**1:24**

REV



**K Industries, Inc.**

CONFIDENTIAL DRAWING.  
INFORMATION IS NOT TO BE COPIED OR  
DISCLOSED TO OTHERS WITHOUT  
CONSENT OF KAY INDUSTRIES.  
SPECIFICATIONS SUBJECT TO CHANGE  
WITHOUT NOTICE.

DRAWN BY

DAT

1/25/2012

DESC:

LOW PROFILE BIKE RACK 5' W/ 6 SPACES (ALL PARTS GAL.TUBE)

APPROVED

MATL:

LAST SAVED

davet

11/19/2018

**PART NO: 4052**

Built In House

PATH TO PART OR ASSM - S:\CADDRWGS\Solidworks\Bicycle Racks\Low Profile\

Configuration - No Conect Plate

11/19/2018 09:31:20

SHEET 3 OF 3