

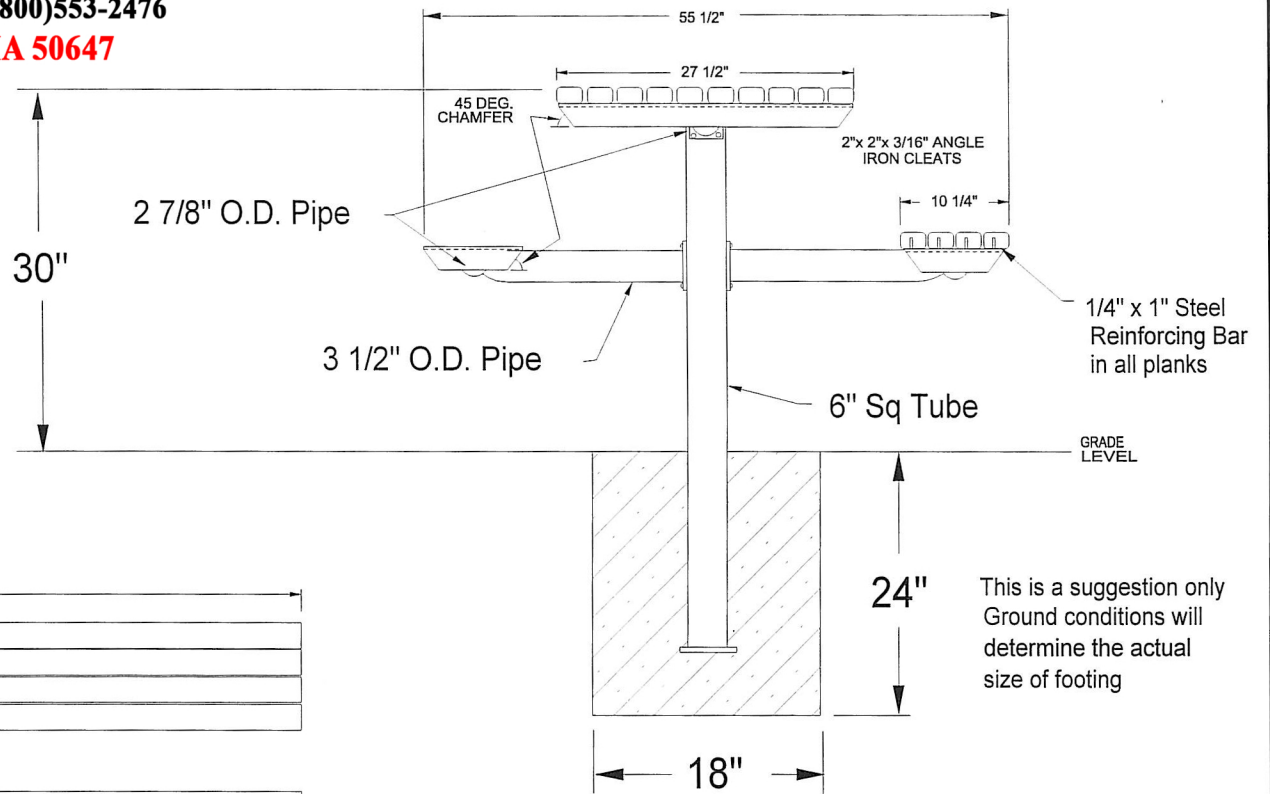


Kay Park Recreation

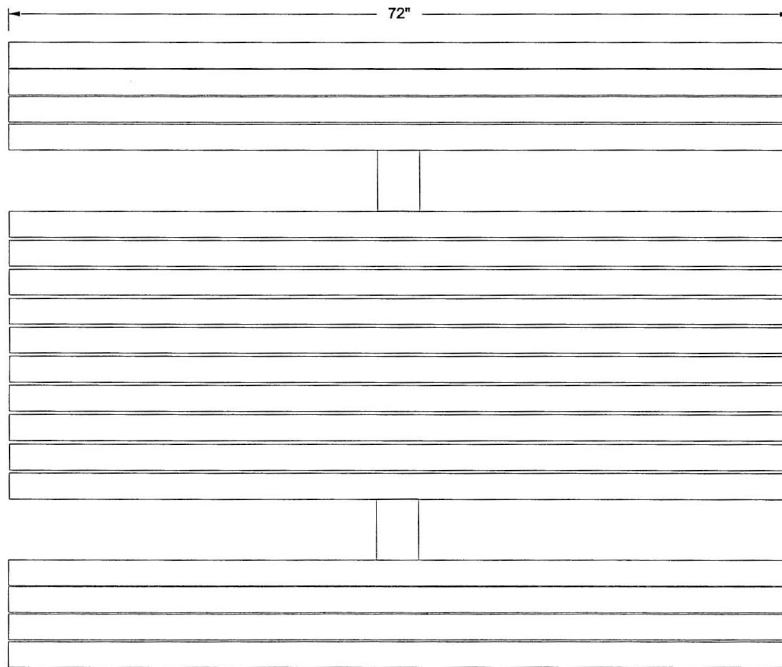
Making People Places, People Friendly Since 1954!

Email us: sales@kaypark.com or Call us: (800)553-2476

1301 Pine St. PO. Box 477 Janesville, IA 50647



This is a suggestion only
Ground conditions will
determine the actual
size of footing



Attached with SS 1/4" x 1 1/2"
Lag screws into a blind hole

Frame is powder coated black

KAY PARK			
MODEL	WS6SPTCRPIG	WT.	374 lbs.
DRAWN BY	CKB	DATE	5/20/04
		SCALE	NONE