



KAY PARK RECREATION

MAKING PLACES PEOPLE FRIENDLY • **SINCE 1954**

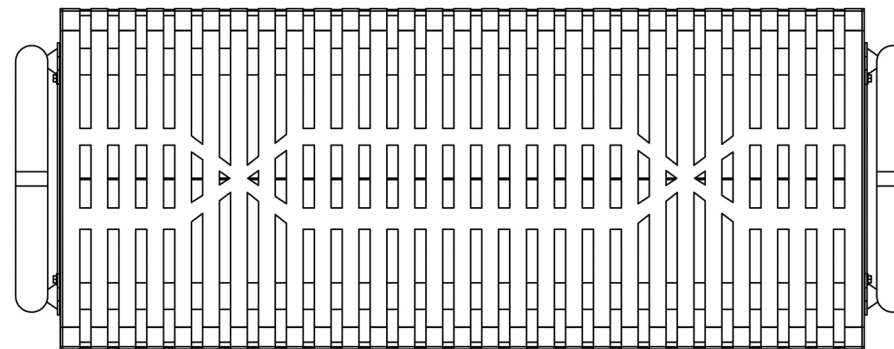
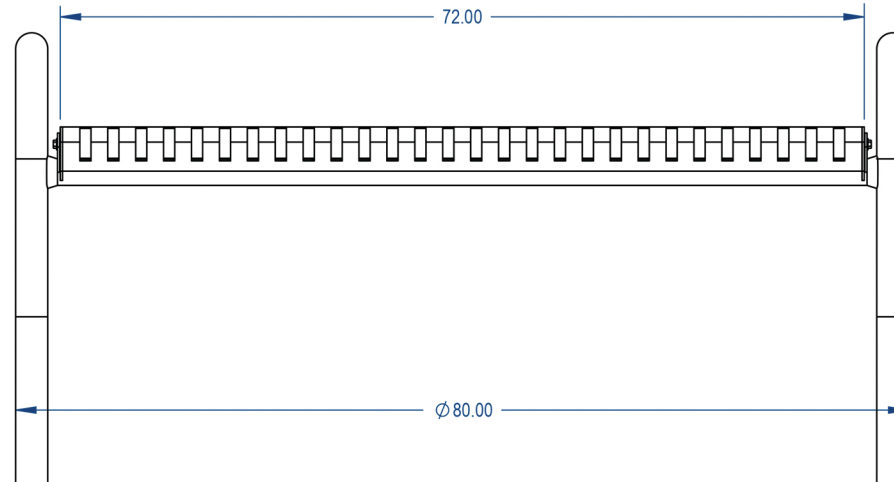
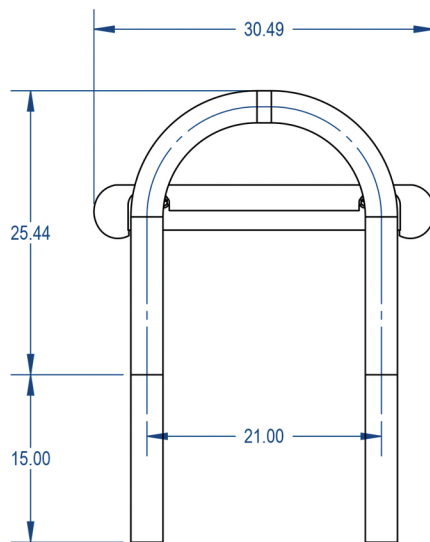
(800)553-2476 • sales@kaypark.com
1301 Pine St. Janesville, IA 50647

Modern Backless Bench

Model #: **MCMDBB6SSIG**

Weight: **187 Lbs**

Material: **Slatted Steel**



PROPRIETARY AND CONFIDENTIAL
THE INFORMATION CONTAINED IN THIS DRAWING IS THE SOLE PROPERTY OF Advantage Panels & Fence, Inc. PO Box 1790 Whitney, TX. ANY REPRODUCTION IN PART OR AS A WHOLE WITHOUT THE WRITTEN PERMISSION OF Advantage Panels & Fence, Inc. PO Box 1790 Whitney, TX. IS PROHIBITED.

	NAME	DATE
DRAWN	GM	6/14/2017
SALES APPR.		
CLIENT APPR.		
MFG APPR.		
Q.A.		

Design By -

CADWorksPro
 design studio
 gilm@cadworkspro.com
 1147 Brook Forest Ave | Suite 228 | Shorewood, IL 60404

AAdvantage Panels & Fence, Inc.

TITLE:

**Modern Bench - Classic
InGround Version**

SIZE	DWG. NO.	REV
A	MBC-003	
WEIGHT:		SHEET 3 OF 3

