



# KAY PARK RECREATION

MAKING PLACES PEOPLE FRIENDLY • **SINCE 1954**

(800)553-2476 • sales@kaypark.com  
1301 Pine St. Janesville, IA 50647

## 8' St. Pete Bench

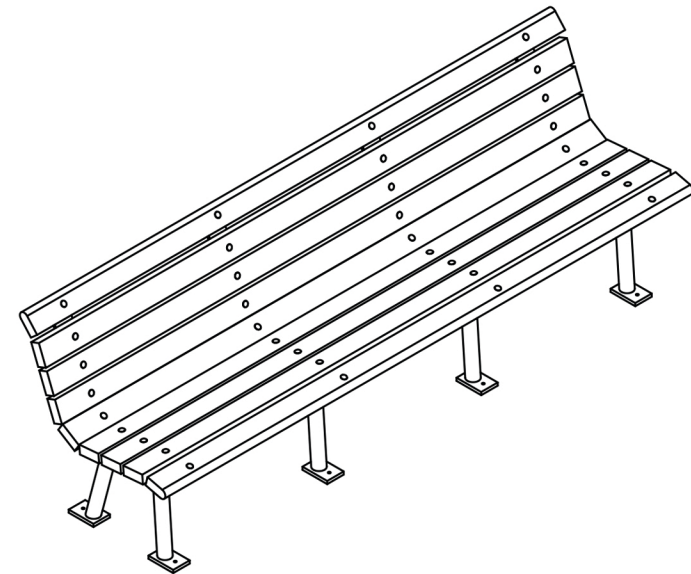
Model #: **JPSP8**

Weight: **145 Lbs**

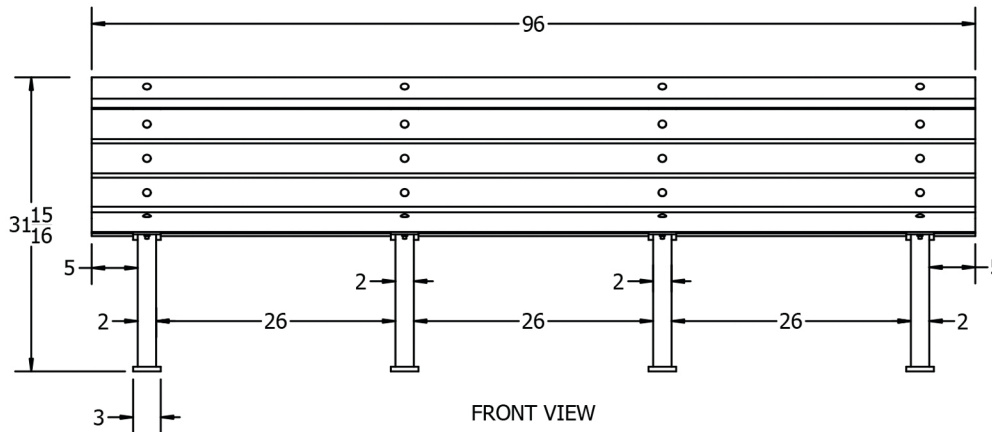
Material: **Recycled Plastic**



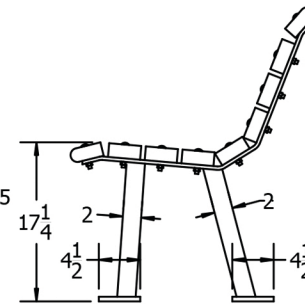
TOP VIEW



3D ISOMETRIC VIEW



FRONT VIEW



SIDE VIEW



CED



GRA



GRE



BLA



BLU



BRO



RED



WHI

**STANDARD COLORS**

**OPTIONAL COLORS**

INSERT COLOR CODE IN PRODUCT NUMBER  
CEDAR= CED, GRAY= GRA, GREEN= GRE, BLACK= BLA,  
BLUE= BLU, BROWN=BRO, RED= RED, WHITE=WHI

EXAMPLE: CEDAR ST. PETE 8 FT. BENCH =  
PB 8**CED**STP

