



KAY PARK RECREATION

MAKING PLACES PEOPLE FRIENDLY • **SINCE 1954**

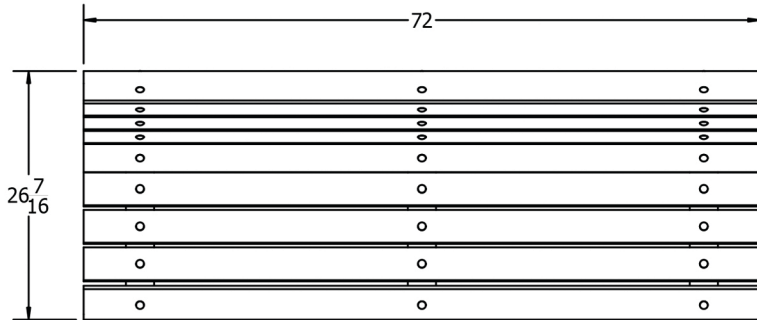
(800)553-2476 • sales@kaypark.com
1301 Pine St. Janesville, IA 50647

6' St. Pete Bench

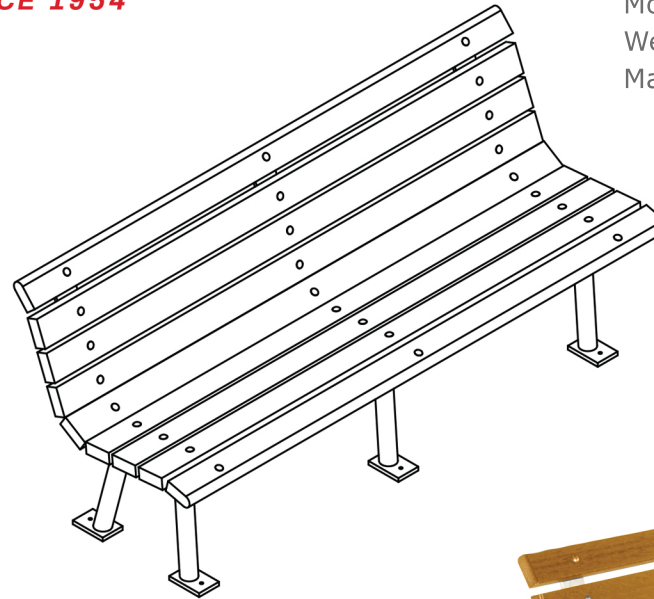
Model #: **JPSP6**

Weight: **110 Lbs**

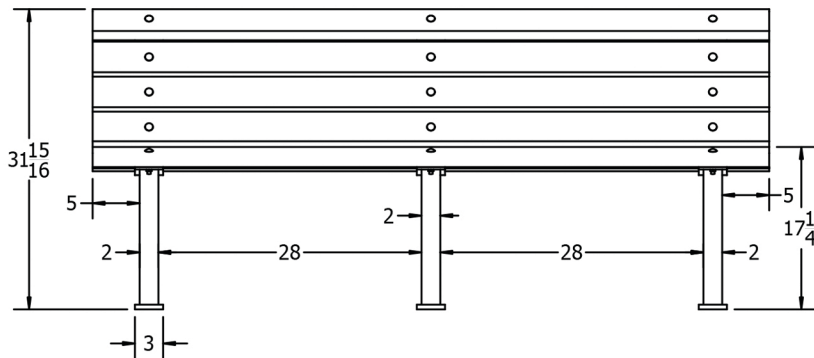
Material: **Recycled Plastic**



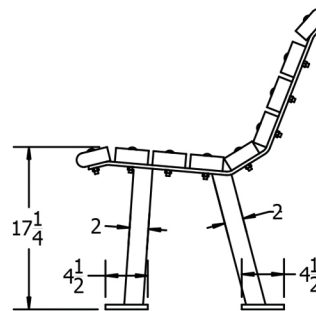
TOP VIEW



3D ISOMETRIC VIEW



FRONT VIEW



SIDE VIEW

 CED
 GRA
 GRE
STANDARD COLORS

 BLA
 BLU
 BRO
 RED
 WHI
OPTIONAL COLORS

INSERT COLOR CODE IN PRODUCT NUMBER
CEDAR= CED, GRAY= GRA, GREEN= GRE, BLACK= BLA,
BLUE= BLU, BROWN=BRO, RED= RED, WHITE=WHI

EXAMPLE: CEDAR ST. PETE 6 FT. BENCH =
PB 6**CED**STP

