



KAY PARK RECREATION

MAKING PLACES PEOPLE FRIENDLY • **SINCE 1954**

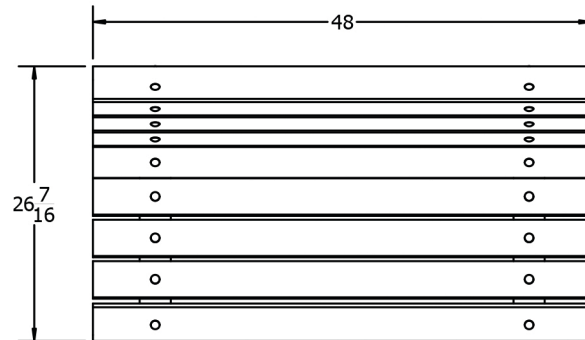
(800)553-2476 • sales@kaypark.com
1301 Pine St. Janesville, IA 50647

4' St. Pete Bench

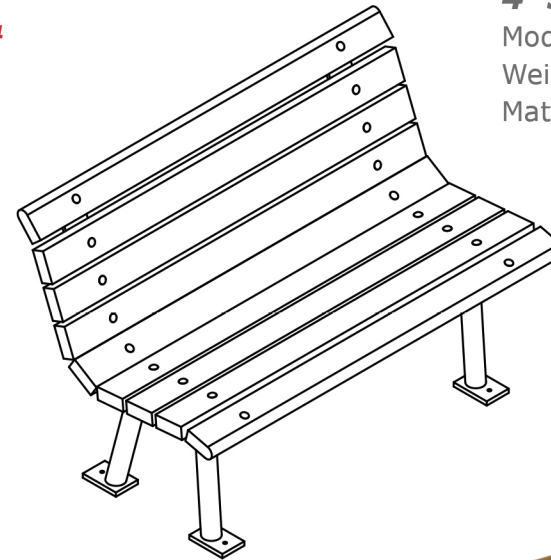
Model #: **JPSP4**

Weight: **75 Lbs**

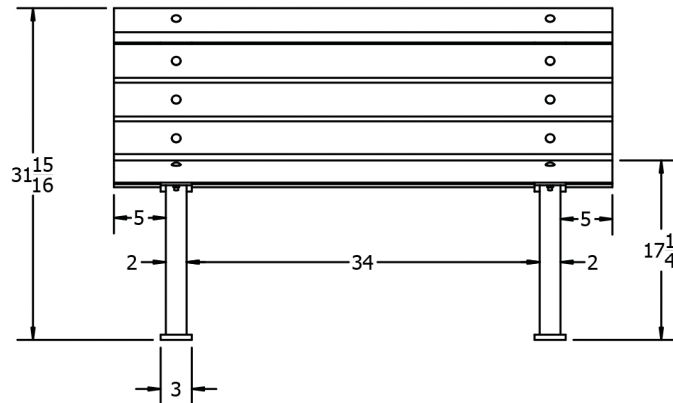
Material: **Recycled Plastic**



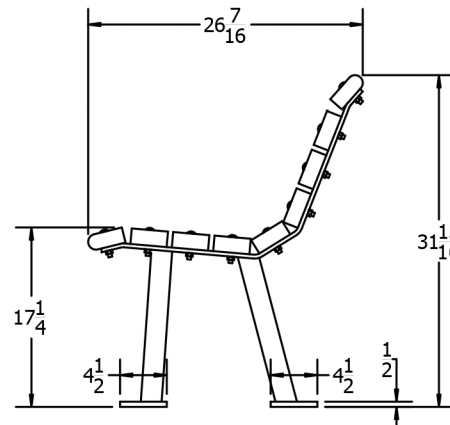
TOP VIEW



3D ISOMETRIC VIEW



FRONT VIEW



SIDE VIEW



CED



GRA



GRE



BLA



BLU



BRO



RED



WHI

STANDARD COLORS

OPTIONAL COLORS

INSERT COLOR CODE IN PRODUCT NUMBER
CEDAR= CED, GRAY= GRA, GREEN= GRE, BLACK= BLA,
BLUE= BLU, BROWN=BRO, RED= RED, WHITE=WHI

EXAMPLE: CEDAR ST. PETE 4 FT. BENCH =
PB 4**CED**STP

