



Kay Park Recreation

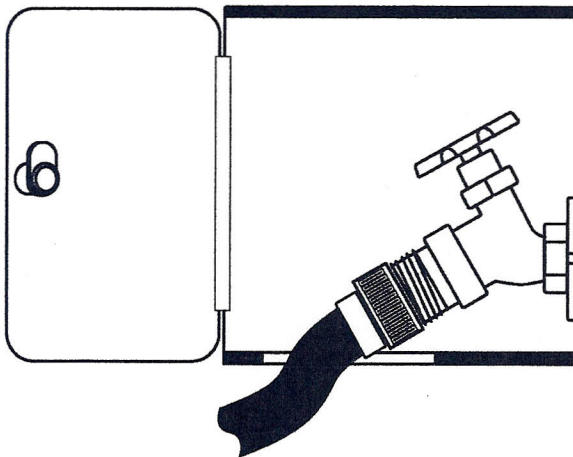
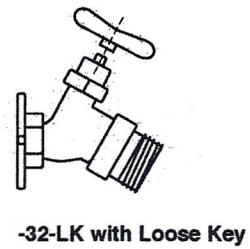
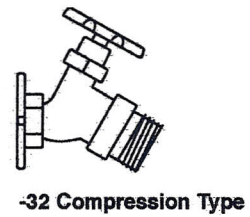
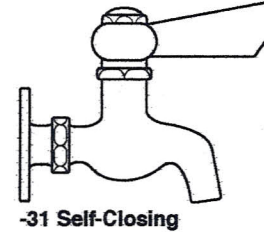
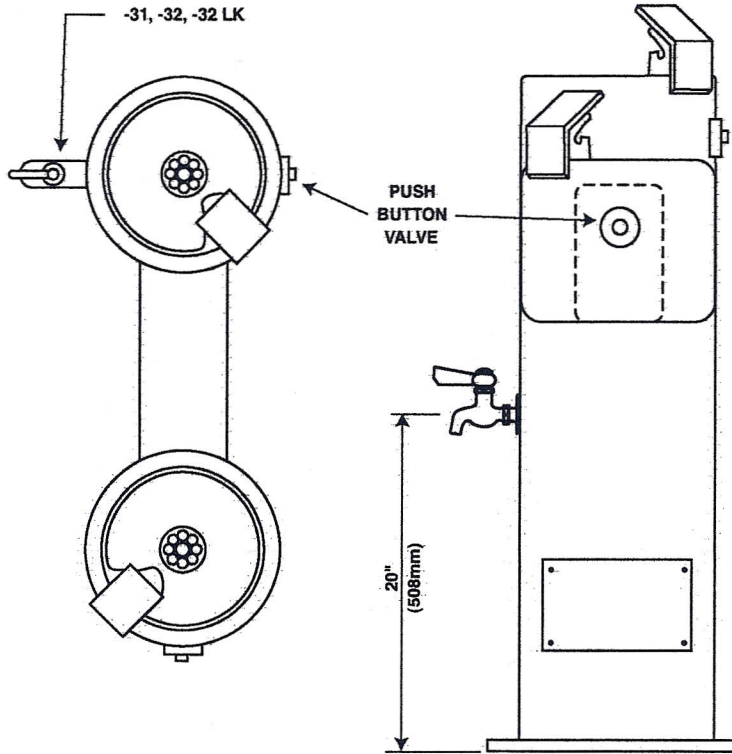
Making People Places, People Friendly Since 1954!

Email us: sales@kaypark.com or Call us: (800)553-2476

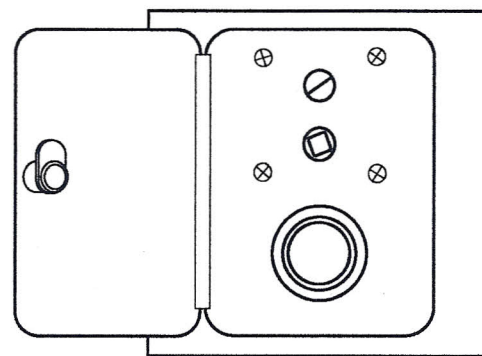
1301 Pine St. P.O. Box 477 Janesville, IA 50647

**Jug Filler
-31**

**Hose Bibbs
-32, -32-LK
-32-VP (Metal only)
-33-VP (Aggregate only)
-35, -35-VP (Metal Only)**



-32-V.P. with Key Operated Shroud for Metal Fountains



-33-V.P. Recessed with Key Operated Shroud for Aggregate Fountains

-35-V.P. Recessed with Key Operated Shroud for Metal Fountains

-35 Recessed only for Metal Fountains

Note: These options are not available in frost proof. See push button type.

HOSE BIB AND JUG OPTIONS