



KAY PARK RECREATION

MAKING PLACES PEOPLE FRIENDLY • **SINCE 1954**

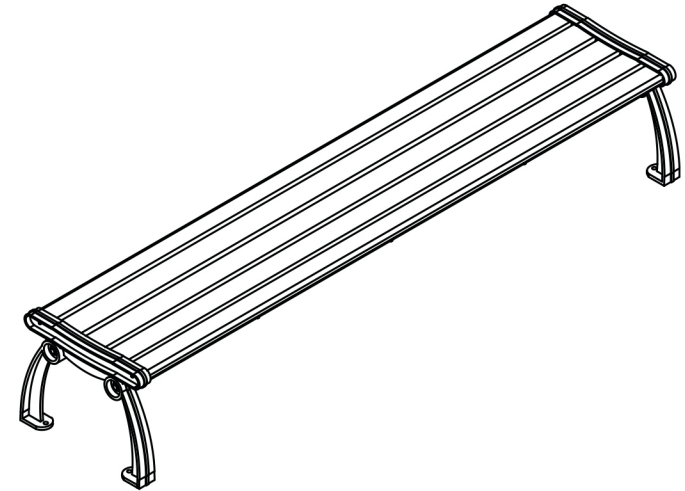
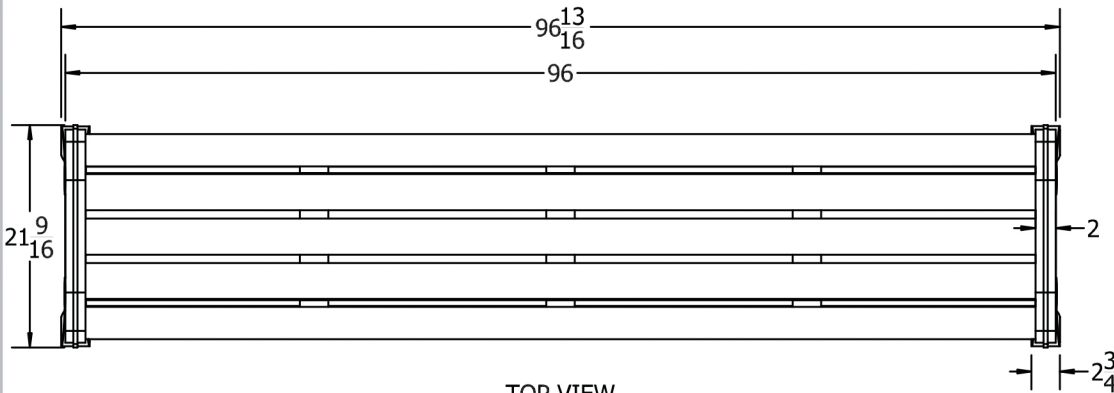
(800)553-2476 • sales@kaypark.com
1301 Pine St. Janesville, IA 50647

8' Heritage Backless Bench

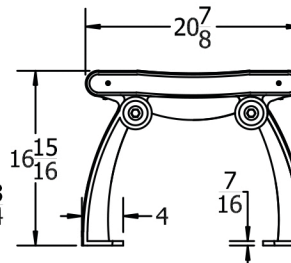
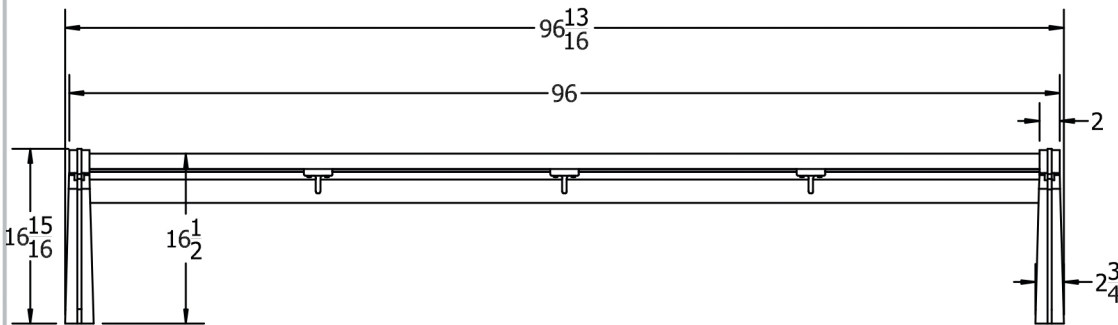
Model #: **JPABL8**

Weight: **120 Lbs**

Material: **Recycled Plastic**



3D ISOMETRIC VIEW



STANDARD COLORS

- CED (Cedar)
- GRA (Gray)
- GRE (Green)

OPTIONAL COLORS

- BLA (Black)
- BLU (Blue)
- BRO (Brown)
- RED (Red)
- WHI (White)

INSERT COLOR CODE IN PRODUCT NUMBER
CEDAR= CED, GRAY= GRA, GREEN= GRE, BLACK= BLA,
BLUE= BLU, BROWN=BRO, RED= RED, WHITE=WHI

EXAMPLE: CEDAR HERITAGE 8 FT. BACKLESS BENCH W/
BLACK FRAME = PB 8**CED**BFbacher

