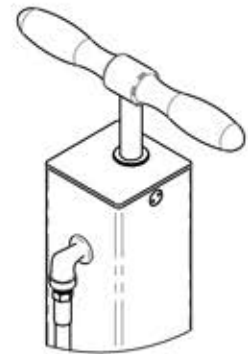
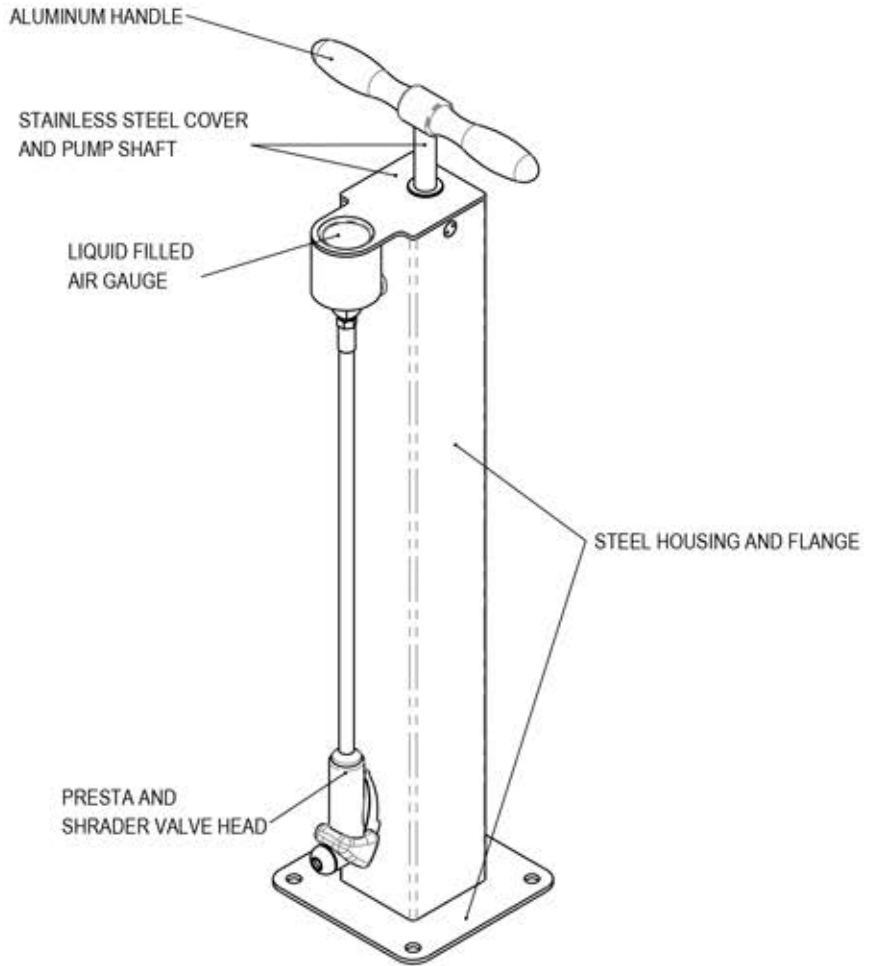
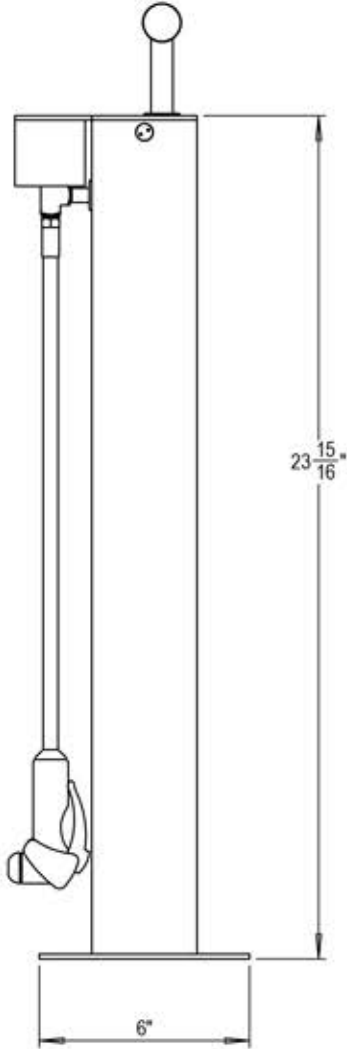




Model: MBRSSM
Weight: 22 Lbs



NO GAUGE OPTION
 PART NAME: PUP-NG

PART: PUP
 DESCRIPTION: PHIL UP AIR PUMP

DATE: 5-10-18
 ENG: BLW

CONFIDENTIAL DRAWING AND INFORMATION IS NOT TO BE COPIED OR DISCLOSED TO OTHERS WITHOUT THE CONSENT OF GRABER MANUFACTURING, INC. SPECIFICATIONS ARE SUBJECT TO CHANGE WITHOUT NOTICE.

- NOTES:
1. INSTALL BIKE RACKS ACCORDING TO MANUFACTURER'S SPECIFICATIONS.
 2. CONSULTANT TO SELECT COLOR (FINISH). SEE MANUFACTURER'S SPECIFICATIONS.
 3. SEE SITE PLAN FOR LOCATION OR CONSULT OWNER.

©2018 GRABER MANUFACTURING, INC. ALL PROPRIETARY RIGHTS RESERVED.



Kay Park Recreation

Making People Places, People Friendly Since 1954!

Email us: sales@kaypark.com or Call us: (800)553-2476

1301 Pine St. Janesville, IA 50647