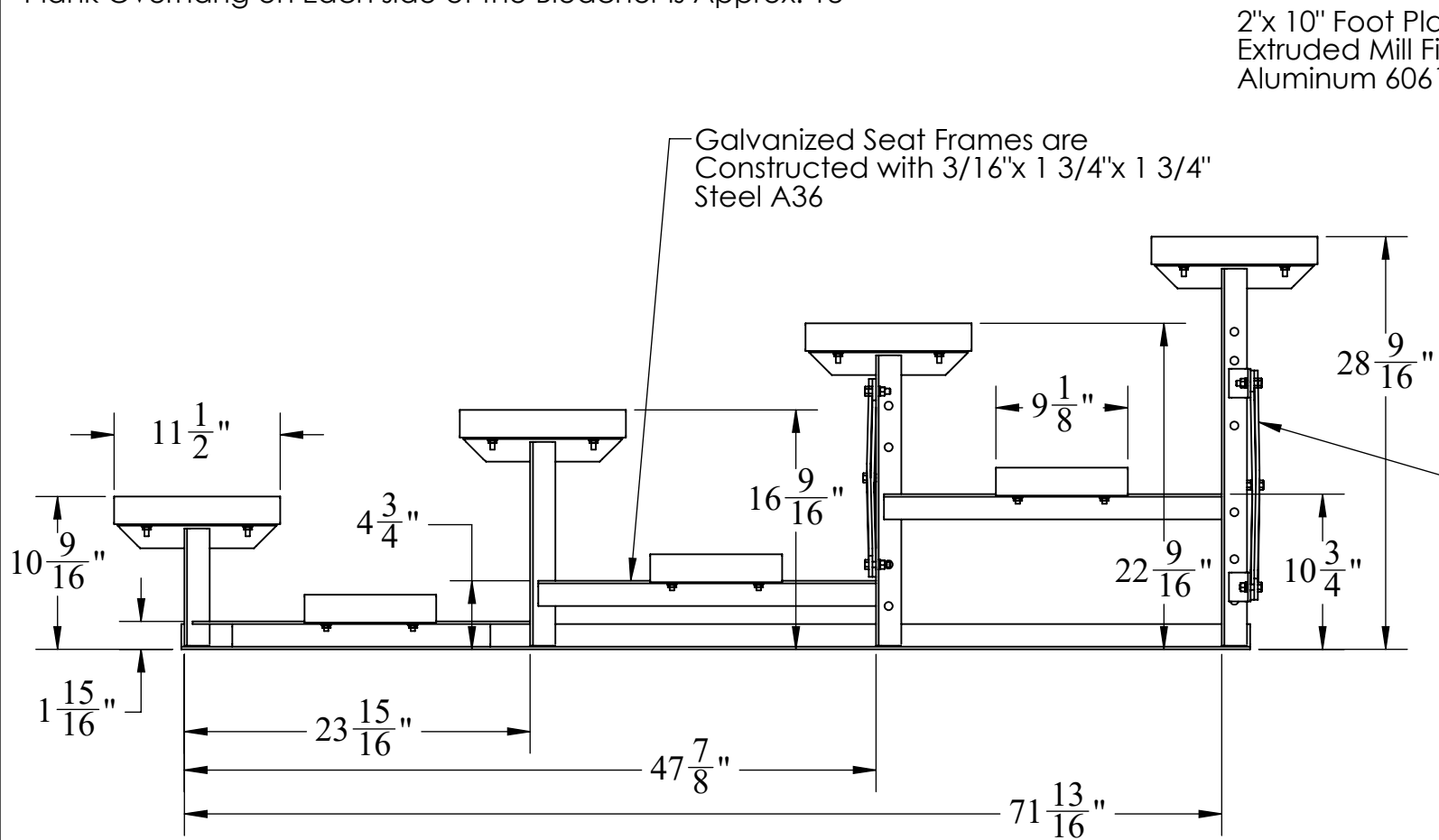
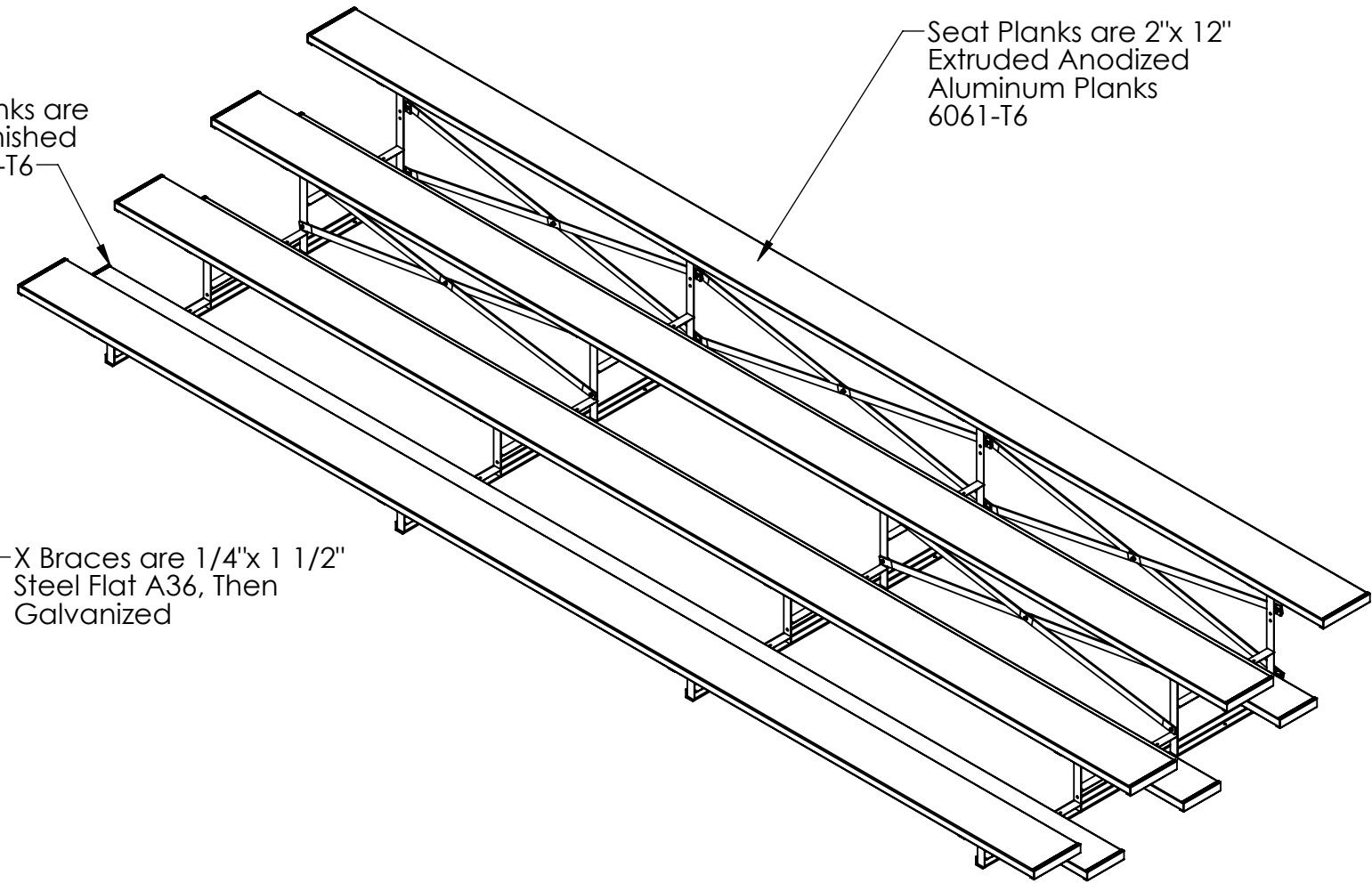


Bleacher Parts are Fastened with 1/2"-13x 1 1/4" Hex Head Bolts, Lock Washers, and Nuts.  
 All Seat Frames are Welded.  
 Plank Overhang on Each side of the Bleacher is Approx. 18"



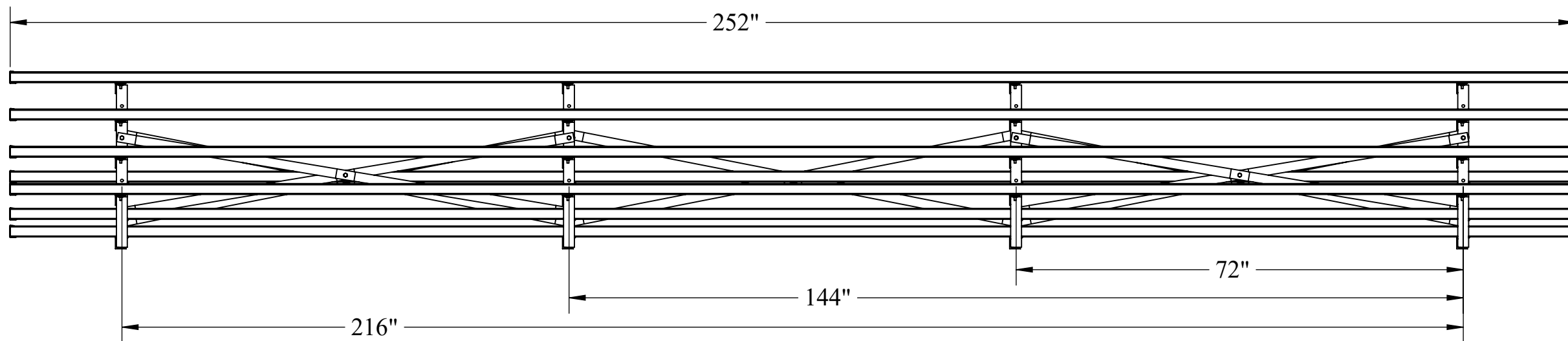
2'x 10" Foot Planks are Extruded Mill Finished Aluminum 6061-T6

Galvanized Seat Frames are Constructed with 3/16"x 1 3/4"x 1 3/4" Steel A36



Seat Planks are 2'x 12" Extruded Anodized Aluminum Planks 6061-T6

X Braces are 1/4"x 1 1/2" Steel Flat A36, Then Galvanized



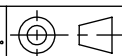
GENERAL NOTES

Built In House

PATH TO PART OR ASSM - S:\CADDRWGS\Solidworks\Bleachers\BLG\Low Rise\

DIMENSIONS ARE IN INCHES  
 TOLERANCES: LINEAR: ± 1/16"  
 ANGULAR: ± 1°

CONFIDENTIAL DRAWING.  
 INFORMATION IS NOT TO BE COPIED OR  
 DISCLOSED TO OTHERS WITHOUT  
 CONSENT OF KAY INDUSTRIES.  
 SPECIFICATIONS SUBJECT TO CHANGE  
 WITHOUT NOTICE.



SHEET SIZE  
**B**

SCALE  
 1:48

REV



**K Industries, Inc.**

DRAWN BY

10/6/2017

DESC:

4 ROW LOW RISE GALVANIZED BLEACHER

APPROVED

MATL:

LAST SAVED

davet

6/18/2018

**PART NO: BLRG4A21**

Configuration - Default

6/18/2018 10:07:45

SHEET 1 OF 3