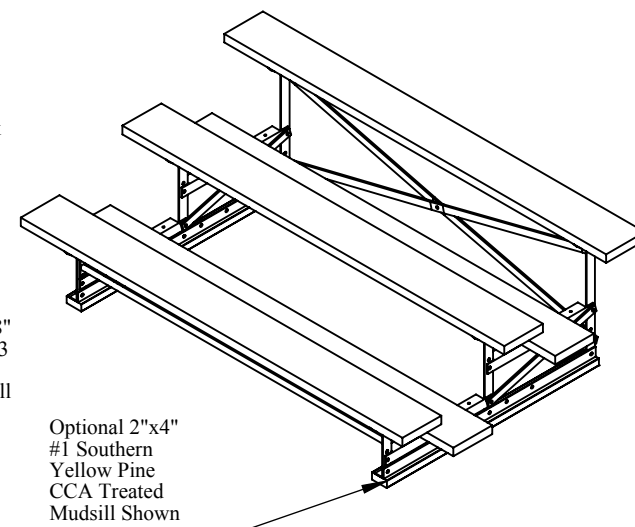
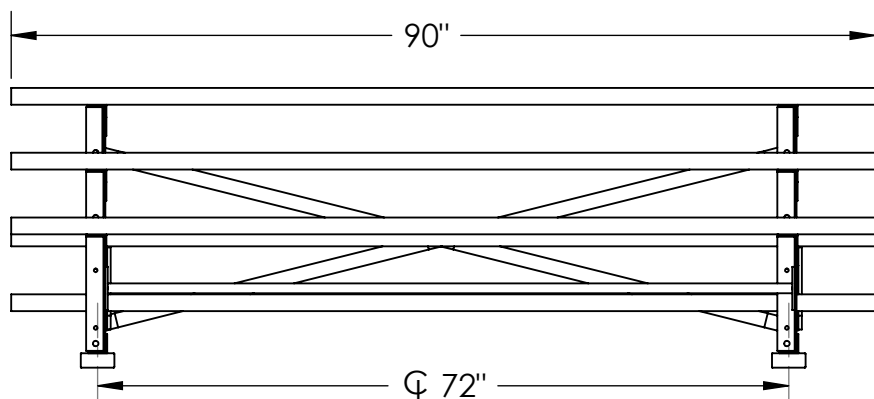


Nominal 2"x10"x.078"
Aluminum Alloy 6063
T6 Extruded Seat Plank
with an Anodized
Finish

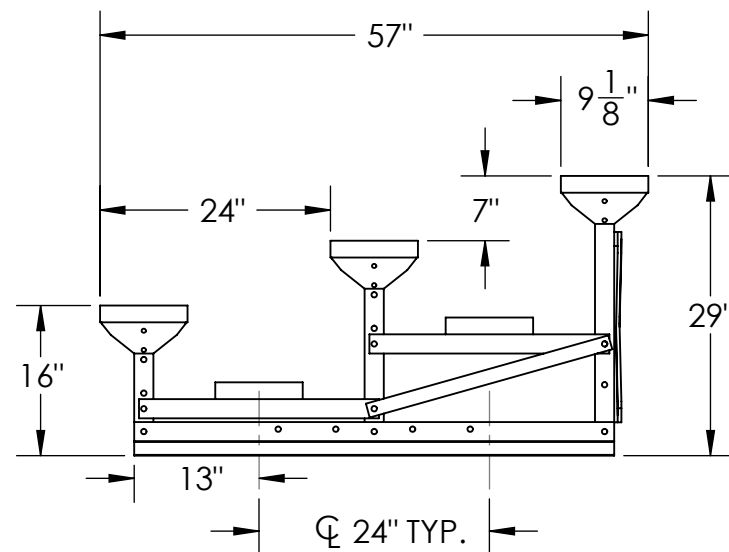
Nominal 2"x10"x.078"
Aluminum Alloy 6063
T6 Extruded Single
Foot Board with a Mill
Finish



Optional 2"x4"
#1 Southern
Yellow Pine
CCA Treated
Mudsill Shown



Frame Anchor Spacing



Frame Anchor Spacing

	Initials	Date	Kay Park-Rec Corp.	Spec Drawing	Model #: BLA3A7.5	Notes: This Drawing and all information contained herein is the property of Kay Park Rec. and is not to be reproduced without express written permission. Kay Park Rec. assumes no responsibility for unauthorized use of this drawing. Kay Park Rec. is not responsible for local permits and occupancy requirements.
Created:		1/4/2011	1301 Pine Street Janesville, IA 50647 1-800-553-2476 WWW.KAYPARK.COM	Description:	3 Row 7-1/2' Aluminum Frame Bleacher With Aluminum Planking, And Single Foot Plank.	
Saved:		1/25/2011				
S:\CADDRWGS\Solidworks\Bleachers\Spec Drawings\			