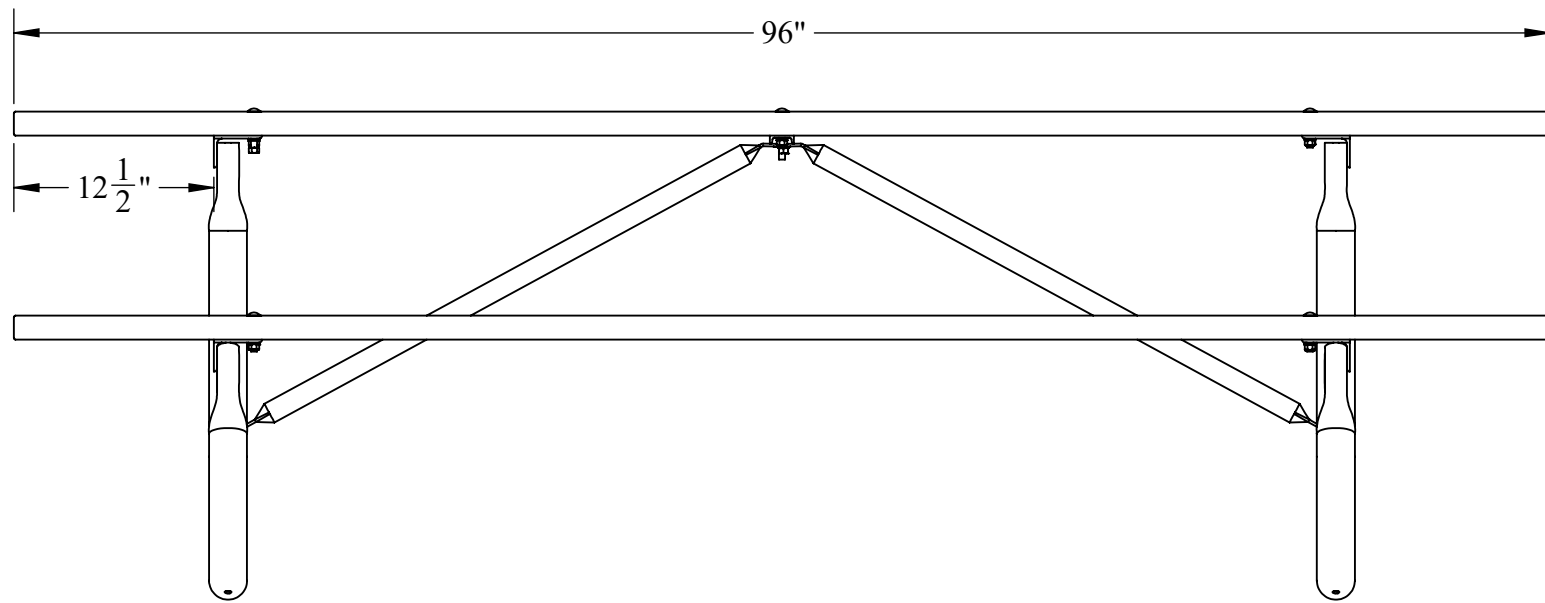
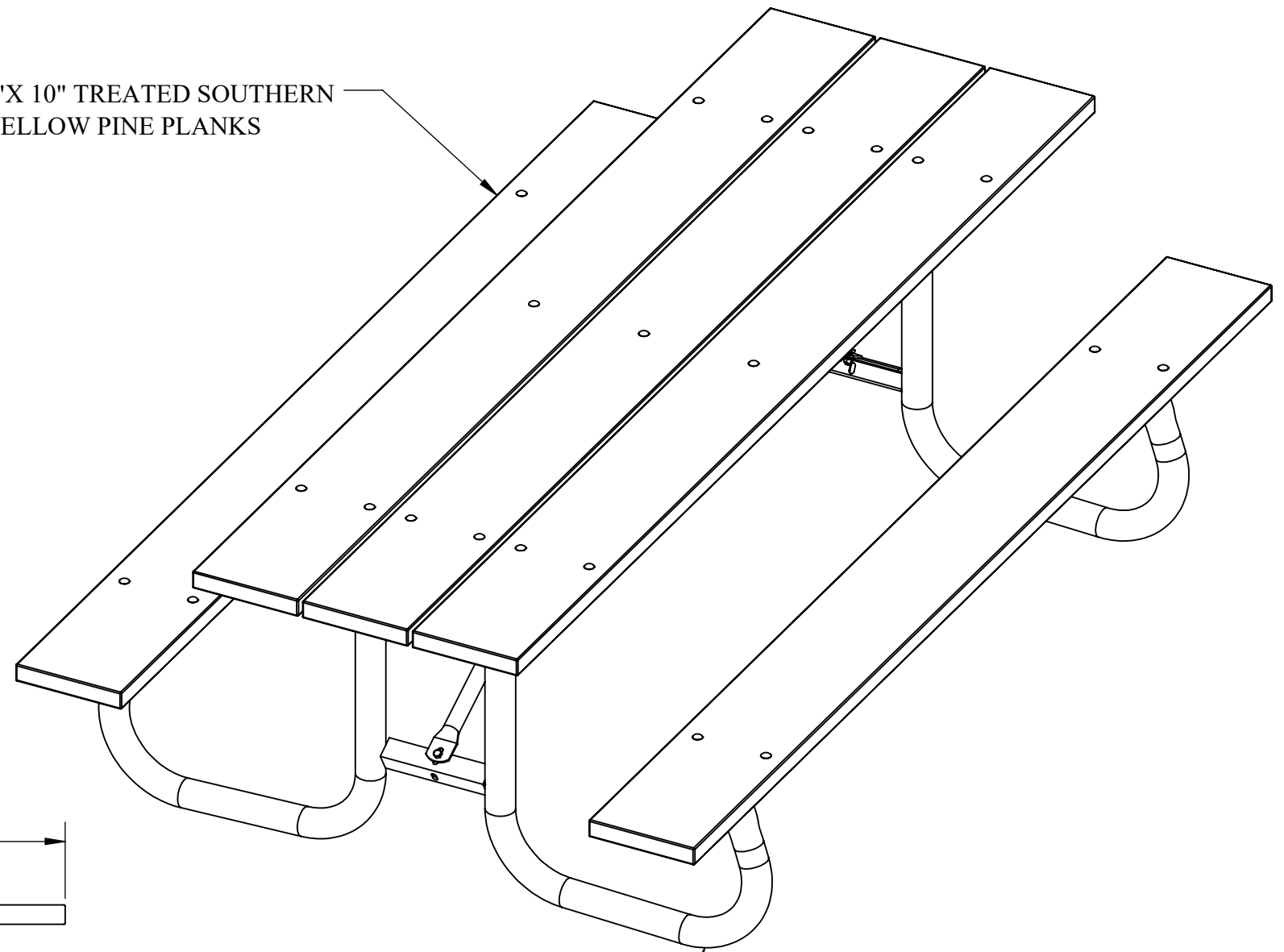
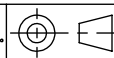


2"X 10" TREATED SOUTHERN YELLOW PINE PLANKS



GENERAL NOTES

DIMENSIONS ARE IN INCHES  
TOLERANCES: LINEAR:  $\pm 1/16$   
ANGULAR:  $\pm 1^\circ$



SHEET SIZE  
**B**

SCALE  
1:12

REV



**Kay Park Rec.**

CONFIDENTIAL DRAWING.  
INFORMATION IS NOT TO BE COPIED OR  
DISCLOSED TO OTHERS WITHOUT  
CONSENT OF KAY INDUSTRIES.  
SPECIFICATIONS SUBJECT TO CHANGE  
WITHOUT NOTICE.

DRAWN BY

JNB

9/22/2014

DESC:

8' J2 TABLE W/ PINE PLANKS

APPROVED

MATL:

LAST SAVED

johnb

6/16/2017

**PART NO: 8J2GW**