

3/4"x #9 Expanded Metal
3/4"x 2"x 10 Ga.(.1345)
Border. Colors Available
Per Catalog

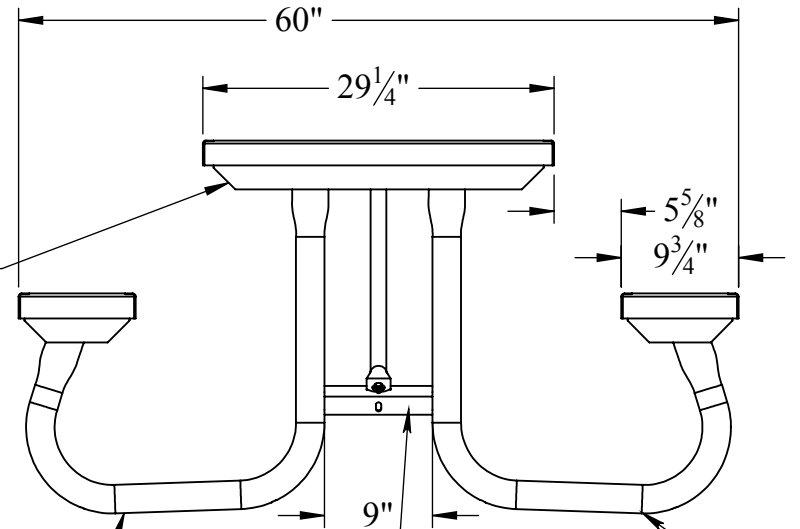
2"x3"x3/16"
Angle

2 3/8" OD SCH 40
Pipe. Hot Dip
Galvanized After
Fabrication

1 1/2"x 1 1/2"
3/16" Angle

Table Rests on Outside
Edges of Legs So That
Table Won't Rock on
Uneven Ground

Confidential Drawing and Information
is not to be Copied or Disclosed to Others
without the Consent of Kay Industries.
Specifications are Subject to Change
without Notice



GENERAL NOTES:

UNLESS OTHERWISE SPECIFIED:

DIMENSIONS ARE IN INCHES
TOLERANCES:
FRACTIONAL ± 1/32
BEND ± 1/2°
THREE PLACE DECIMAL ± .005

DO NOT SCALE DRAWING

MATERIAL

Sheet 1 of 1

NAME

DATE



K Industries, Inc.

DRAWN

DAT

8/5/2015

TITLE:

CHECKED

ENG APPR.

MFG APPR.

DESC.

6 FT. TABLE VP TOP AND SEATS

COMMENTS:

WGT: 196 Lbs.

SIZE
A

PART NO.

6J2GVP (Spec)

REV