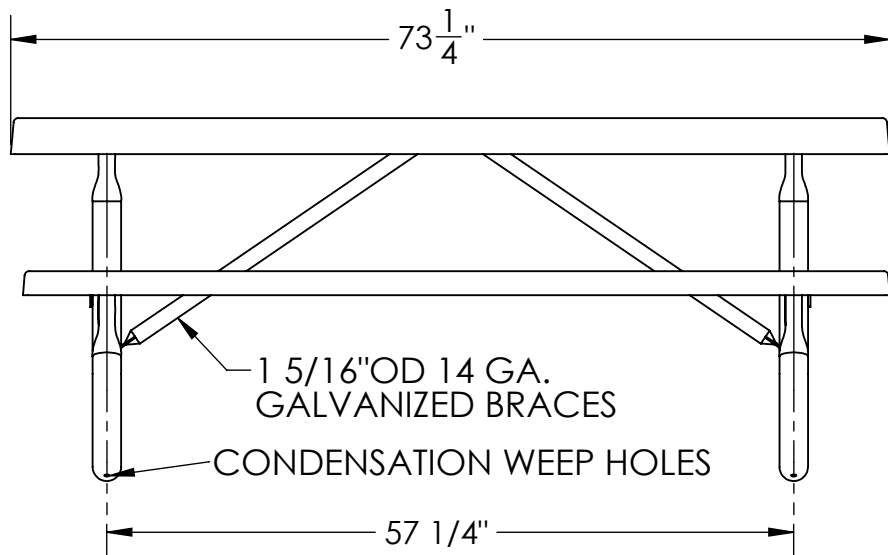
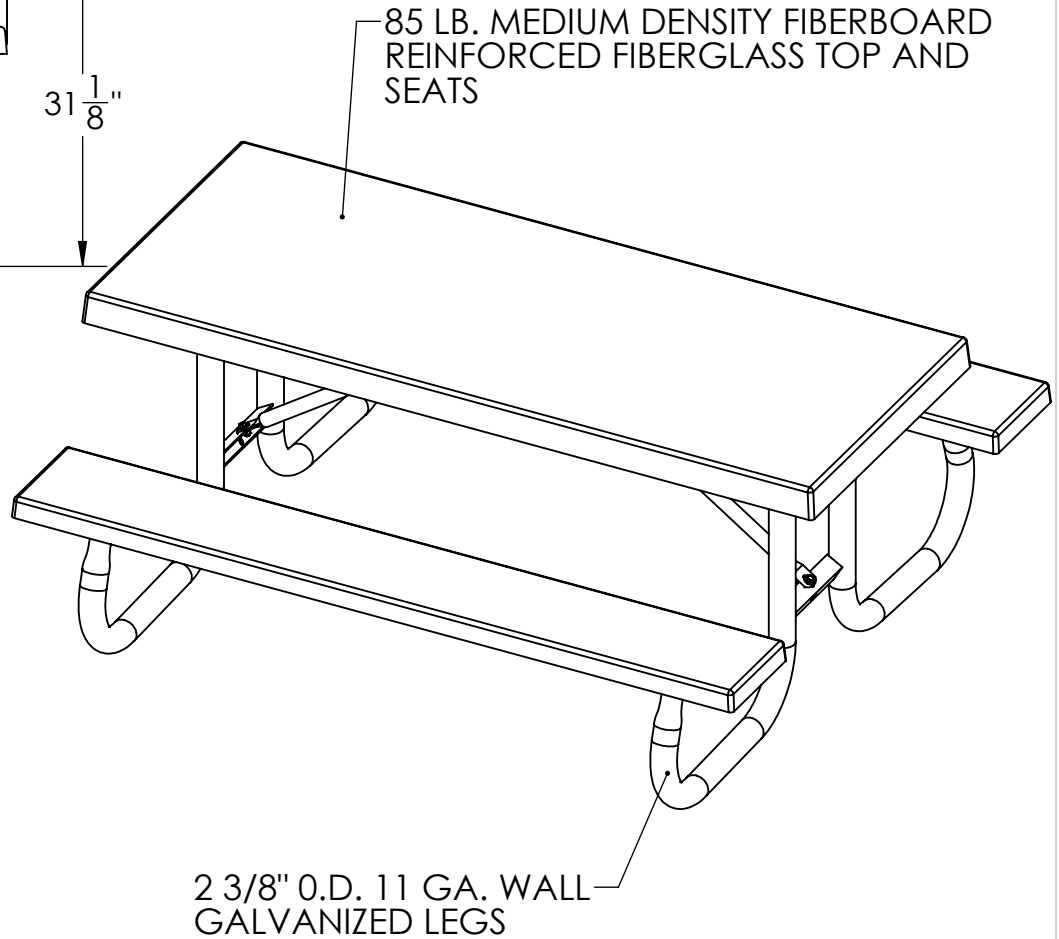


TABLE RESTS ON OUTSIDE
4 CORNERS TO HELP
PREVENT ROCKING ON
UNEVEN GROUND



1 5/16" OD 14 GA.
GALVANIZED BRACES

CONDENSATION WEEP HOLES



WGT: 290 LBS

GENERAL NOTES

DIMENSIONS ARE IN INCHES
TOLERANCES: LINEAR: ± 1/16
ANGULAR: ± 1°



CONFIDENTIAL DRAWING.
INFORMATION IS NOT TO BE COPIED OR
DISCLOSED TO OTHERS WITHOUT
CONSENT OF KAY INDUSTRIES.
SPECIFICATIONS SUBJECT TO CHANGE
WITHOUT NOTICE.

SHEET SIZE

A

SCALE

1:16

REV



Kay Park Rec.

DRAWN BY

DAT

6/20/2017

DESC:

6' J2 FIBERGLASS MDF REINFORCED TABLE

APPROVED

MATL:

LAST SAVED

dave†

12/27/2018

PART NO: 6J2GF