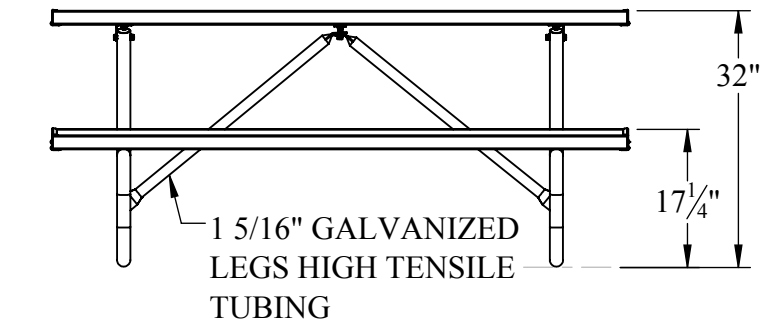
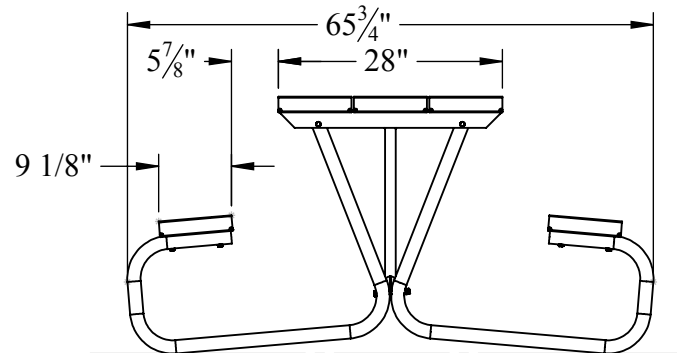


1 5/8" GALVANIZED
LEGS HIGH TENSILE
TUBING

2"x 10" ANODIZED
6061-T6 ALUMINUM
SEATS AND TABLE
TOP PLANKS.



1 5/16" GALVANIZED
LEGS HIGH TENSILE
TUBING



GENERAL NOTES:

Confidential Drawing and Information
is Not to be Copied or Disclosed to Others
Without the Consent of Kay Industries.
Specifications Are Subject to Change
Without Notice.

UNLESS OTHERWISE SPECIFIED:

DIMENSIONS ARE IN INCHES
TOLERANCES:
FRACTIONAL ± 1/32
BEND ± 1/2°
THREE PLACE DECIMAL ± .005

DO NOT SCALE DRAWING

MATERIAL

NAME

DAT

DATE

1/29/2016



K Industries, Inc.

TITLE:

DESC. **6 FT ALUMINUM TABLE GALVANIZED**

DRAWN

CHECKED

ENG APPR.

MFG APPR.

LAST SAVED

1/29/2016 12:32:26 PM

COMMENTS:

S:\CADDRWGS\Solidworks\Tables\BG\

SIZE
A

PART NO.

6BGA

REV