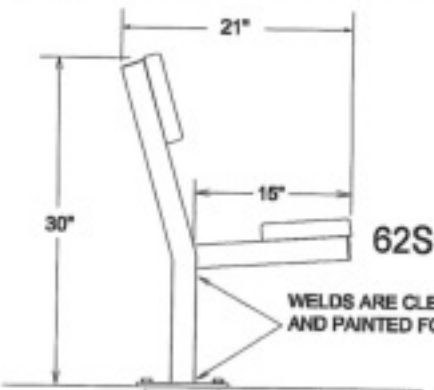


### END VIEWS

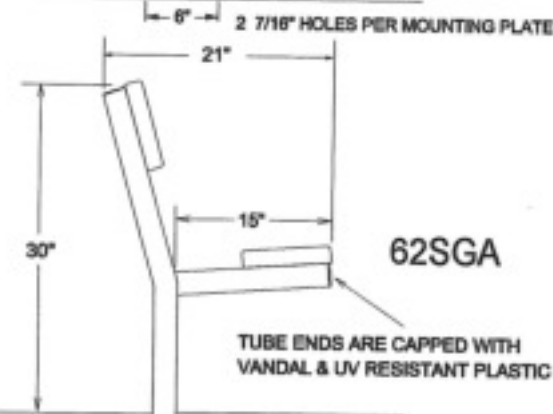


62PGA



62SGASM

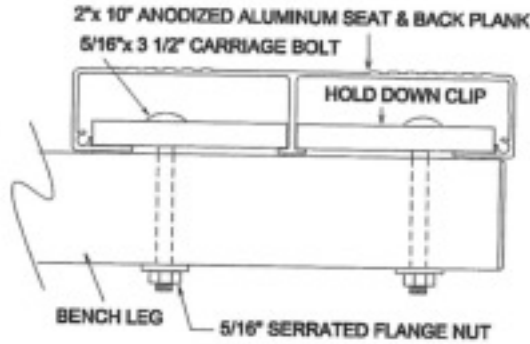
WELDS ARE CLEANED, COLD GALVANIZED AND PAINTED FOR A LONG LIFE



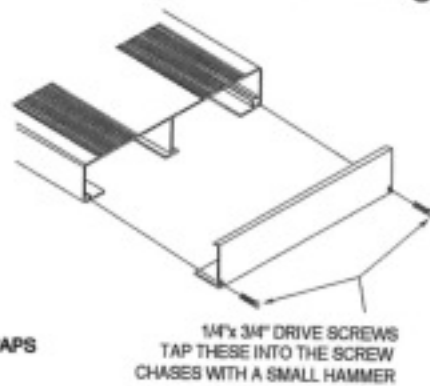
62SGA

TUBE ENDS ARE CAPPED WITH VANDAL & UV RESISTANT PLASTIC CAPS

### DETAIL OF PLANK



### End Caps for Planking



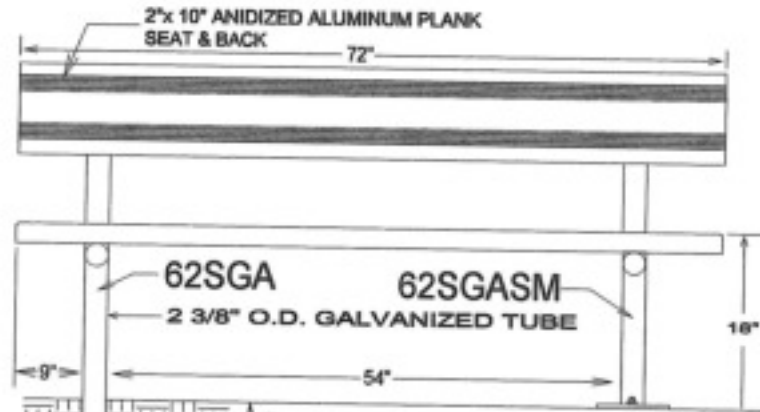
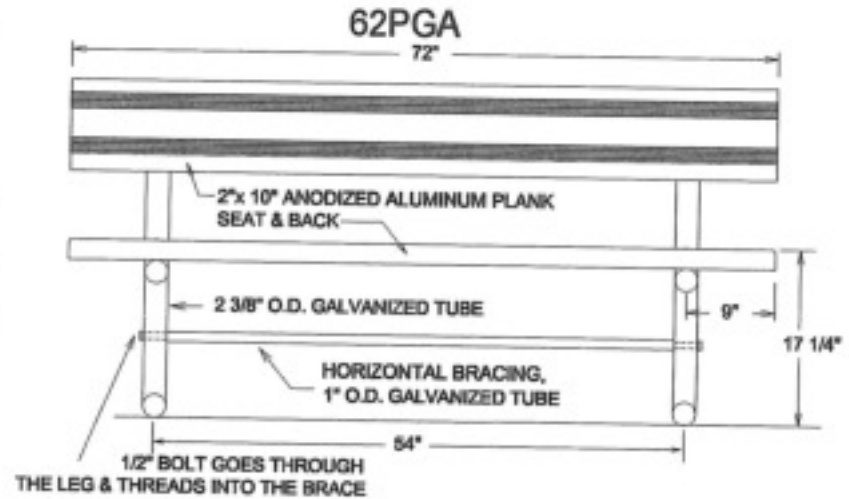
NOTE: THE BURY DEPTH OF THE CONCRETE FOOTING IS ONLY A SUGGESTION THE LOCAL SOIL CONDITIONS SHOULD DETERMINE WHAT IS NECESSARY

THE ENDS OF THE LEGS ARE DEFORMED FOR PERMANENT ANCHORING IN CONCRETE

REV 10/00

FILE NO. 62PGA,62SGA,62SGASM

### FRONT VIEW



MODEL	WT.
62SGA	49 lbs.
62SGASM	49 lbs.
62PGA	57 lbs.

## KAY PARK

MODEL	SEE ABOVE	WT.	SEE ABOVE
DRAWN BY	JBJ	DATE	10/12/00
		SCALE	NONE