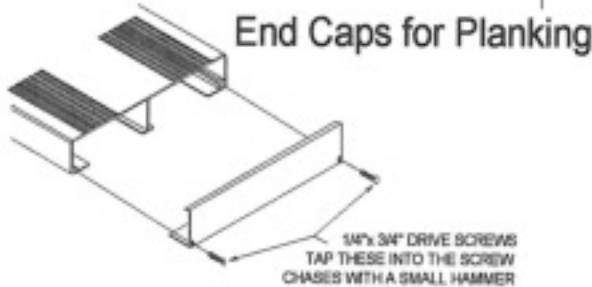
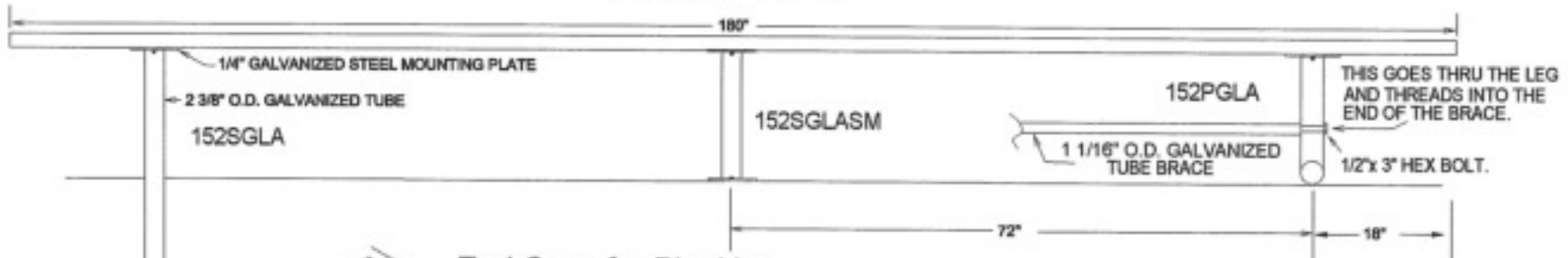
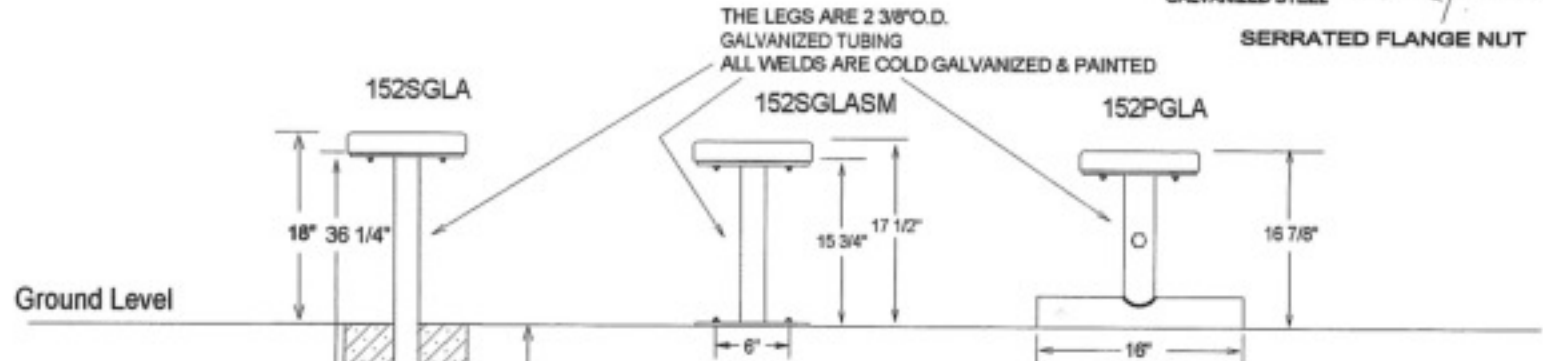
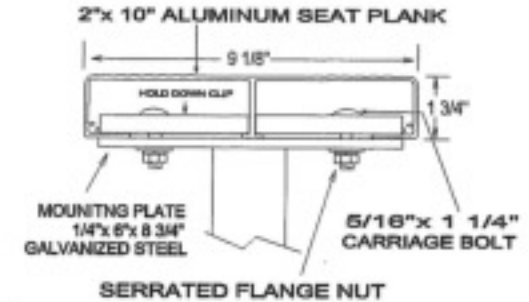


### FRONT VIEW



### END VIEW



### END VIEW

THE LEGS ARE 2 3/8" O.D. GALVANIZED TUBING  
ALL WELDS ARE COLD GALVANIZED & PAINTED

MODEL	WT.
152SGLA	59 lbs.
152SGLASM	59 lbs.
152PGLA	67 lbs.



### Kay Park Recreation

Making People Places, People Friendly Since 1954!  
Email us: sales@kaypark.com or Call us: (800)553-2476  
1301 Pine St. P.O. Box 477 Janesville, IA 50647

## KAY PARK

MODEL	SEE LEFT	WT.	SEE LEFT
DRAWN BY	JBJ	DATE	10/10/00
		SCALE	NONE

REV 10/00  
FILE No. 152SGLA,152SGLASM,152PGLA