



# Kay Park Recreation

Making People Places, People Friendly Since 1954!

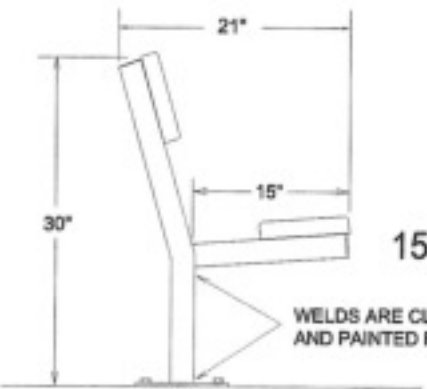
Email us: sales@kaypark.com or Call us: (800)553-2476

1301 Pine St. P.O. Box 477 Janesville, IA 50647



## END VIEW

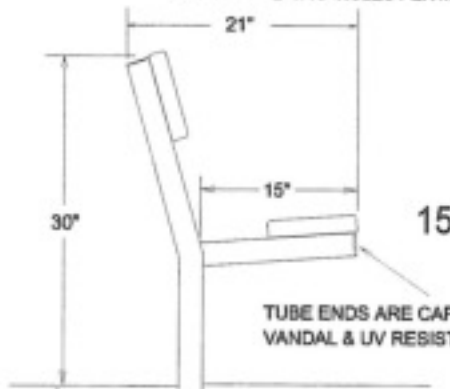
152PGF



152SGFSM

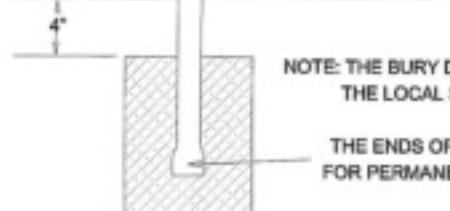
WELDS ARE CLEANED, COLD GALVANIZED AND PAINTED FOR A LONG LIFE

6 inch spacing, 2 7/16 inch HOLES PER MOUNTING PLATE



152SGF

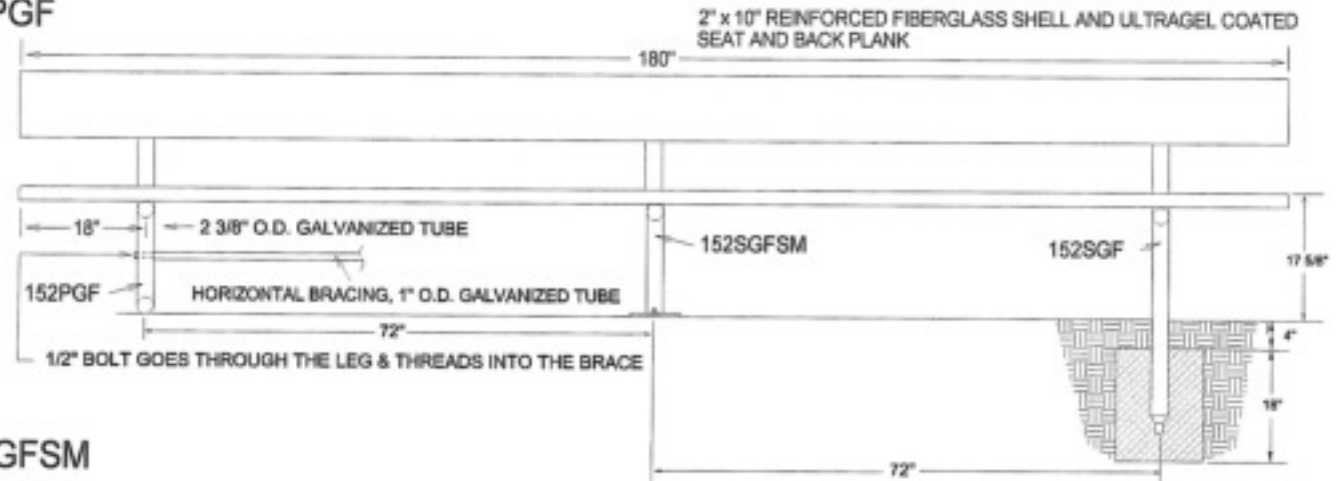
TUBE ENDS ARE CAPPED WITH VANDAL & UV RESISTANT PLASTIC CAPS



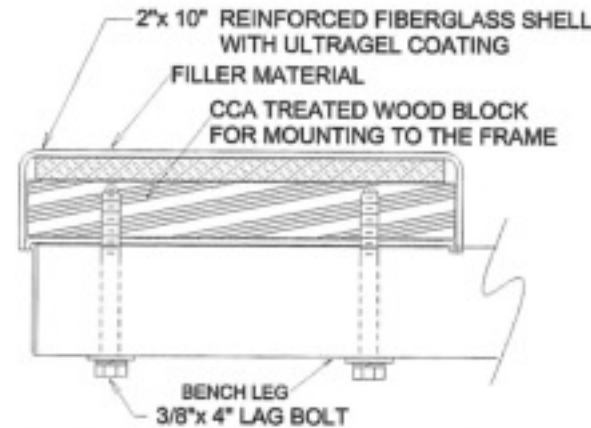
NOTE: THE BURY DEPTH OF THE CONCRETE FOOTING IS ONLY A SUGGESTION THE LOCAL SOIL CONDITIONS SHOULD DETERMINE WHAT IS NECESSARY

THE ENDS OF THE LEGS ARE DEFORMED FOR PERMANENT ANCHORING IN CONCRETE

## FRONT VIEW



## DETAIL OF FIBERGLASS PLANK



MODEL	WT.
152SGF	165 lbs.
152SGFSM	165 lbs.
152PGF	180 lbs.

REV 10/00

FILE NO. 152PGF, 152SGF, 152SGFSM

# KAY PARK

MODEL	SEE ABOVE	WT.	SEE ABOVE
DRAWN BY	JBW	DATE	10/13/00
		SCALE	NONE