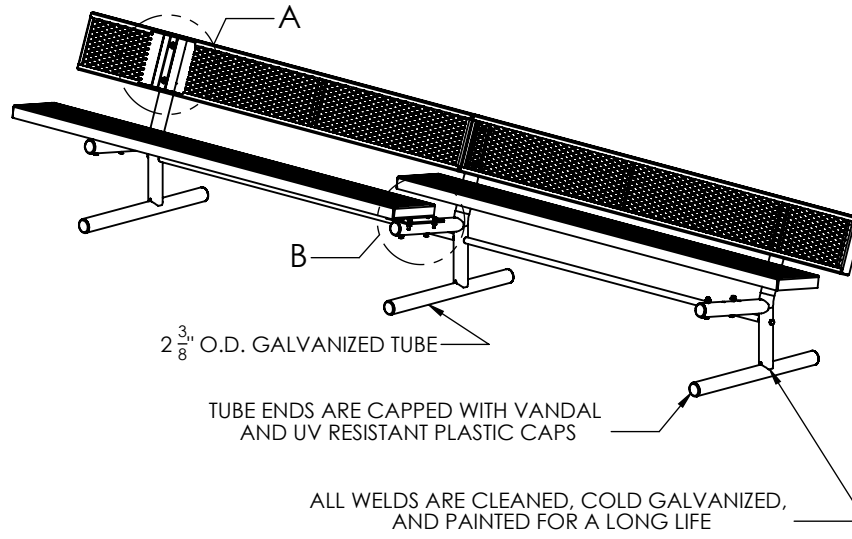
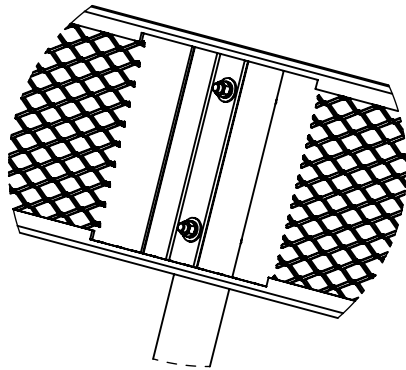


DETAIL A:

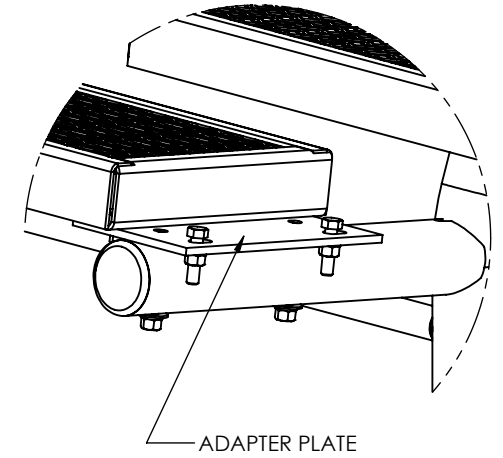


2 3/8" O.D. GALVANIZED TUBE

TUBE ENDS ARE CAPPED WITH VANDAL AND UV RESISTANT PLASTIC CAPS

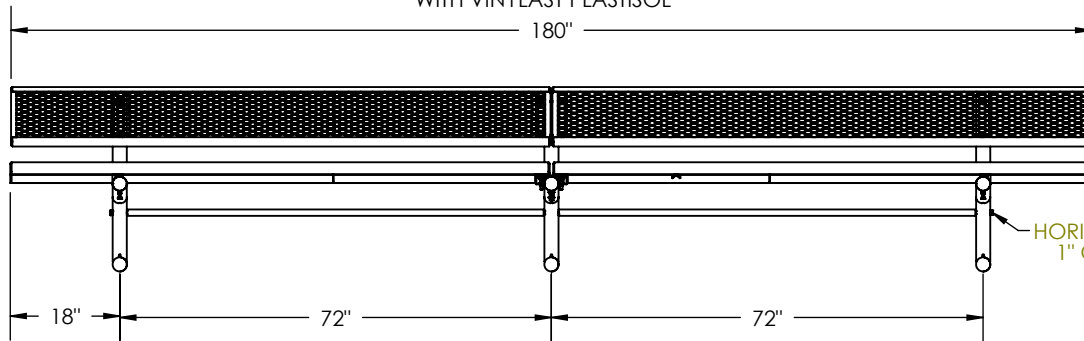
ALL WELDS ARE CLEANED, COLD GALVANIZED, AND PAINTED FOR A LONG LIFE

DETAIL B:

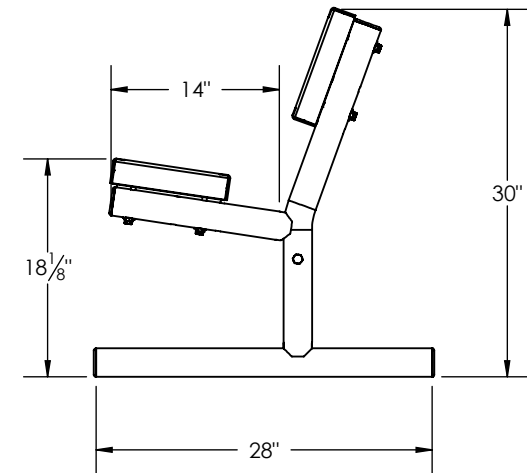


ADAPTER PLATE

ENTIRE SEAT ASSEMBLY IS COATED WITH VINYLAST PLASTISOL



HORIZONTAL BRACING, 1" O.D. GALV. TUBE



GENERAL NOTES

WGT: 239 LBS.

DIMENSIONS ARE IN INCHES
TOLERANCES: LINEAR: ± 1/16
ANGULAR: ± 1°



SHEET SIZE

A

SCALE

1:32

REV



K Industries, Inc.

CONFIDENTIAL DRAWING.
INFORMATION IS NOT TO BE COPIED OR
DISCLOSED TO OTHERS WITHOUT
CONSENT OF KAY INDUSTRIES.
SPECIFICATIONS SUBJECT TO CHANGE
WITHOUT NOTICE.

DRAWN BY

DAT

6/11/2014

DESC:

3 LEG PORTABLE BENCH WITH VP BACK VP SEATS

APPROVED

MATL:

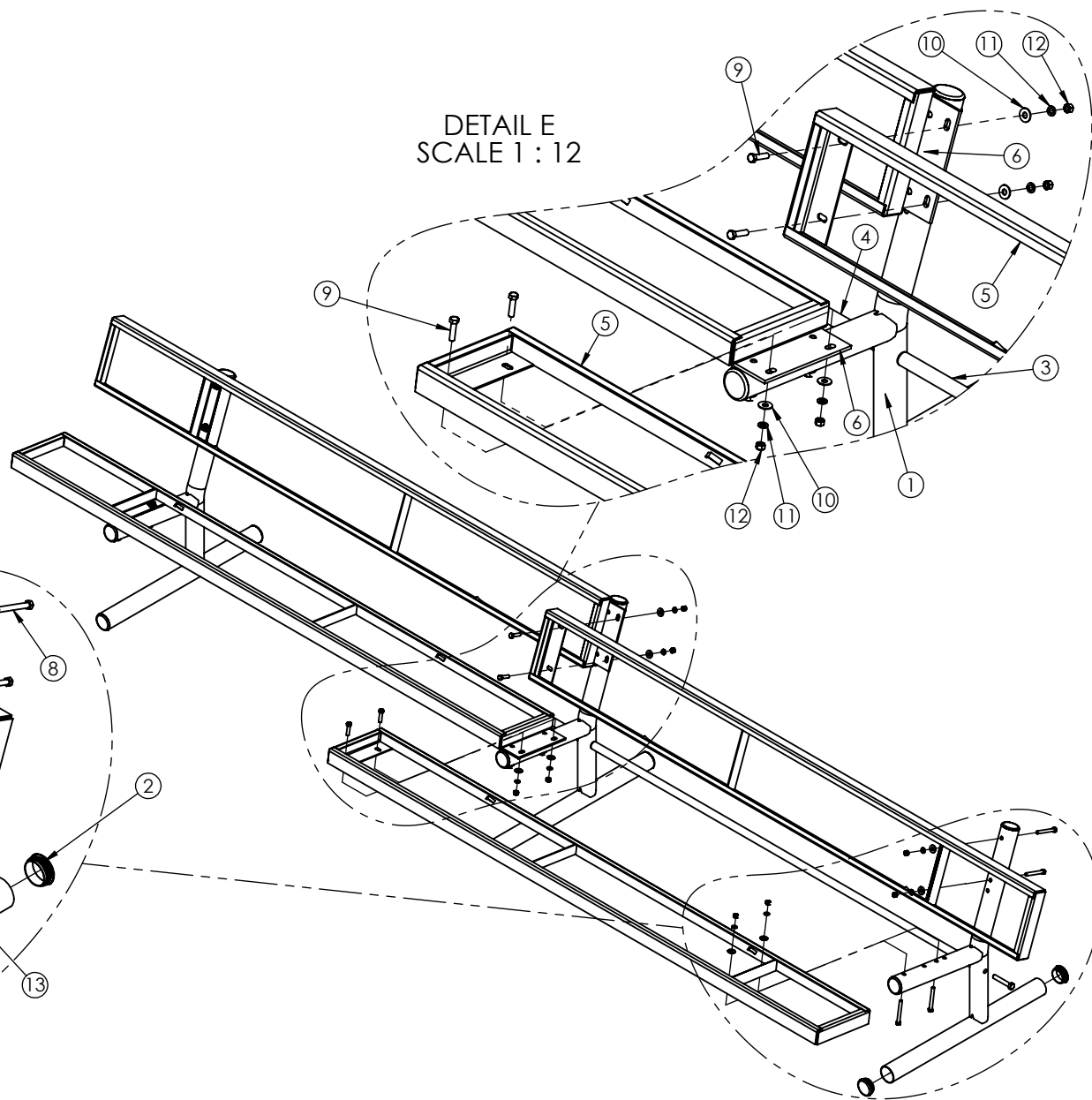
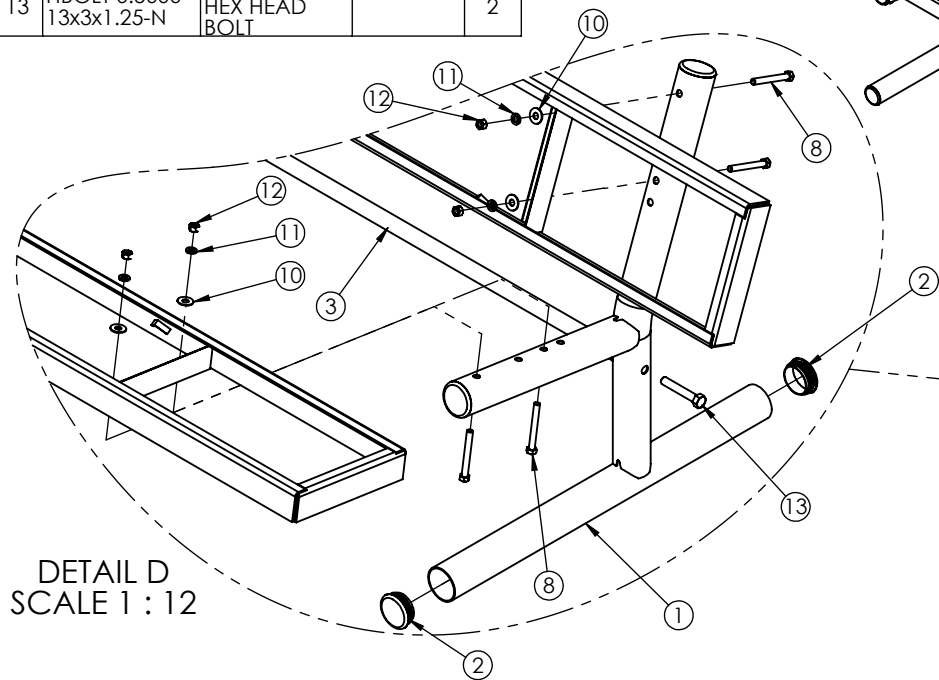
LAST SAVED

davet

12/8/2017

PART NO: 152PGVP

NO.	PART NUMBER	DESCRIPTION	MATERIAL	QTY.
1	PG-SA1	Port. Bench With Back		3
2	ILPCAP-11	LARGE 2 3/8" CAP PLASTIC	2 3/8" PLASTIC CAP	12
3	15IPB-225	15' GALV BRACE ASSY 69 5/8"	TUBE GALV 69 3/8" x 1 1/16" OD	1
4	15IPB-225S	15' BRACE ASSY W/ STUD 69 5/8"	TUBE GALV 69 3/8" x 1 1/16" OD	1
5	7IV-8	7 1/2" VP SEAT ASSY		4
6	PBVP-SA1	ADAPTOR ASSEMBLY		2
7	Regular FW 0.375	3/8" REGULAR FLAT WASHER		2
8	HBOLT 0.3750-16x3.25x1-N			8
9	HBOLT 0.3750-16x1.5x1-N	HEX BOLT 0.3750-16x1.5		8
10	FLATW-3/8	FLAT WASHER 3/8"		18
11	LOCKW-3/8	LOCK WASHER 3/8"		20
12	HNUT 0.3750-16-D-N	3/8"-16 HEX NUT		20
13	HBOLT 0.5000-13x3x1.25-N	1/2"-13x 3" HEX HEAD BOLT		2



GENERAL NOTES

DIMENSIONS ARE IN INCHES
TOLERANCES: LINEAR: ± 1/16
ANGULAR: ± 1°



CONFIDENTIAL DRAWING.
INFORMATION IS NOT TO BE COPIED OR
DISCLOSED TO OTHERS WITHOUT
CONSENT OF KAY INDUSTRIES.
SPECIFICATIONS SUBJECT TO CHANGE
WITHOUT NOTICE.

SHEET SIZE

A

SCALE

1:48

REV



K Industries, Inc.

DRAWN BY

DAT

6/11/2014

DESC:

15' 2"x10" PORTABLE BENCH
3 LEG PORTABLE BENCH WITH VP BACK VP SEATS

APPROVED

MATL:

LAST SAVED

davet

12/8/2017

PART NO: 152PGVP