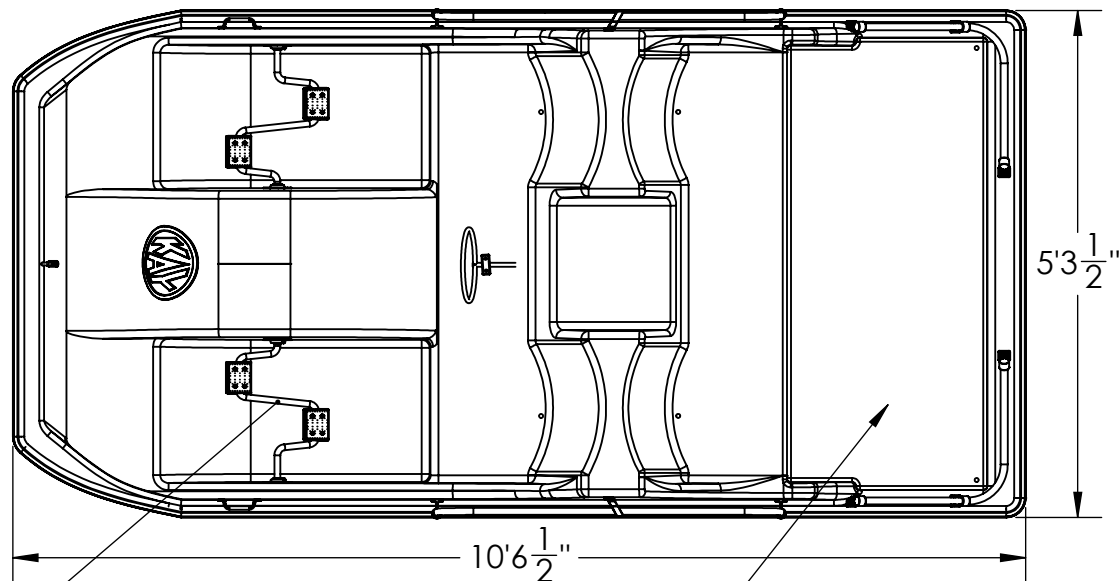


COMFORTABLY ENGINEERED SEATS FOR 4 PASSENGERS

# PCIV 4-PASSENGER PEDAL BOAT

PEDALS WELL AND SEATS DRAIN, NEVER NEED BAILING OUT. EXTRA THICK FIBERGLASS IN CRITICAL AREAS. 3/16" THICK FIBERGLASS DECK. "D" SHAPED RESILIENT VINYL MOULDING ALL AROUND. STEERING WHEEL IS CENTER MOUNTED, SO EITHER PASSENGER CAN OPERATE. REINFORCED FIBERGLASS HAS ULTRAGEL FINISH.



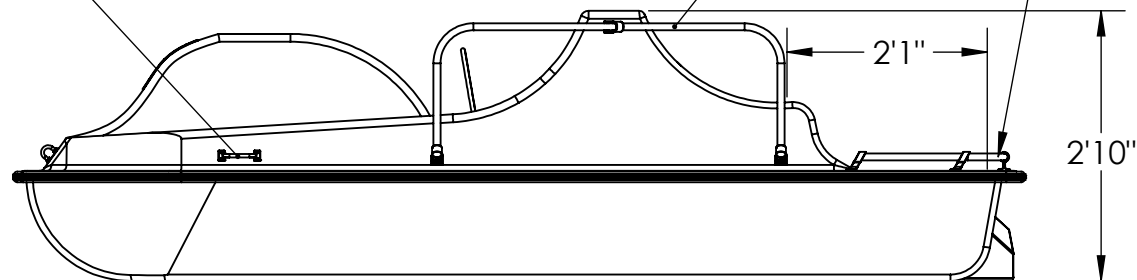
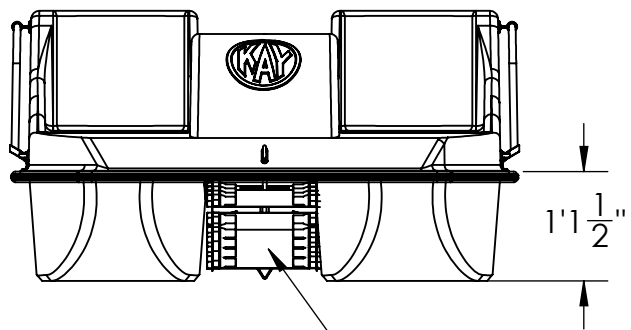
3/4" STAINLESS STEEL PEDAL CRANKS  
4 GREASEABLE BRONZE BEARINGS

BUILT-IN NON-SKID SURFACE ON REAR DECK

OPTIONAL ALUMINUM SIDE GRAB RAILS

ALUMINUM RAILS

MARINE GRADE CHROMED HANDLE



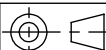
DIRECT DRIVE PADDLE WHEEL

100% FOAM FILLED PONTOONS CONTAIN APPROX. 30 CU.FT. OF FOAM @60 LBS. BOUYANCY PER CU.FT. EQUALS 1800 LBS. SAFETY FLOATATION. -EVEN IF PONTOON IS BADLY DAMAGED THE 100% SAFETY FOAM FLOATATION STILL DOES ITS JOB.

**GENERAL NOTES**

WEIGHT: 350 LBS.

DIMENSIONS ARE IN INCHES  
TOLERANCES: LINEAR: ± 1/16  
ANGULAR: ± 1°



SHEET SIZE

**A**

SCALE

1:48

REV



**Kay Park Rec.**

CONFIDENTIAL DRAWING.  
INFORMATION IS NOT TO BE COPIED OR  
DISCLOSED TO OTHERS WITHOUT  
CONSENT OF KAY INDUSTRIES.  
SPECIFICATIONS SUBJECT TO CHANGE  
WITHOUT NOTICE.

DRAWN BY

JDB

3/29/2018

DESC:

PCIV 4-PASSENGER PEDAL BOAT

APPROVED

MATL:

GEL COATED FIBERGLASS

LAST SAVED

jackb

4/16/2018

**PART NO: PC4**