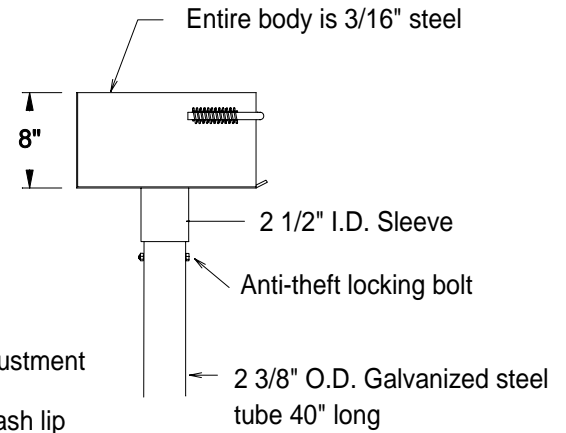
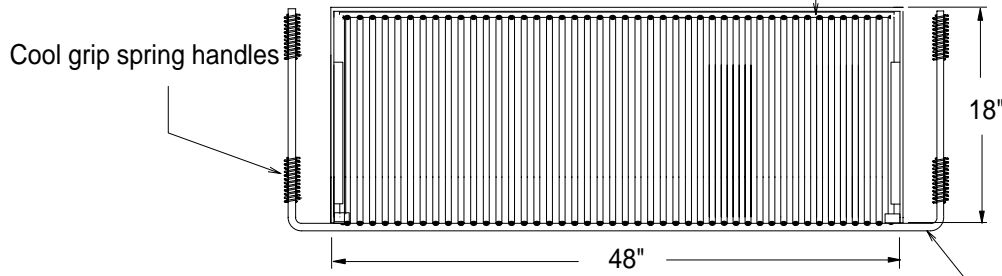
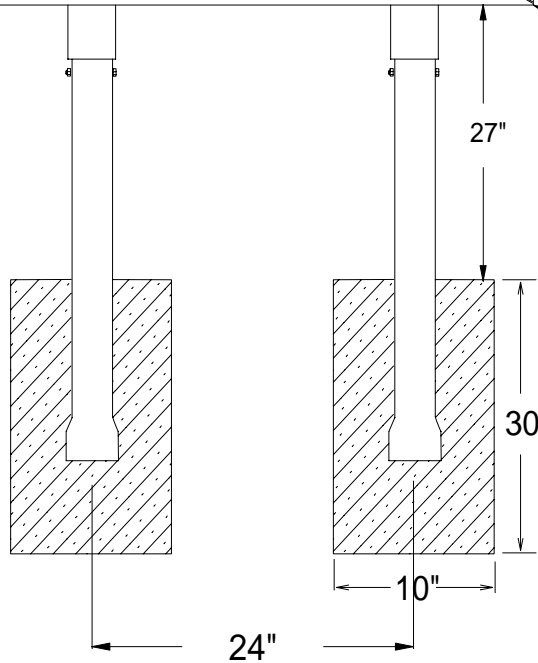
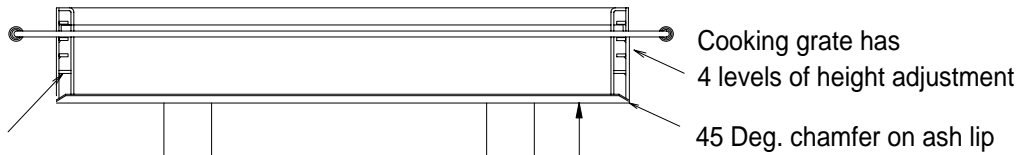


Cooking surface is
 1/2" rods on 1" centers.
 860 sq. in. total



1/4" slide bars & retainer bar
 This allows the grate to be pulled out
 for easy fire building, but not removed



Note: The size of the footing
 is only a suggestion.
 Your local soil conditions
 should determine what is
 necessary.

Finish is non-toxic
 heat resistant black enamel

Kay Park Rec.
 1301 Pine St
 Janesville, IA 50647
 1-800-553-2476

MODEL XB-16 WT. 177 lbs
 DRAWN BY CKB DATE 4/1/04 SCALE None