

**GENERAL SPECIFICATIONS:
MANUFACTURER'S QUALIFICATIONS**

maintains at all times a quality control program as herein outlined so as to insure that all steel meets all requirements as specified under physical requirements. All steel shall be manufactured by skilled workmen who have at least five years experience in similar work.

MANUFACTURING

Welding - Structural welding shall conform to the requirements of AWS D1.3, Structural Welding Code-Steel, 1998 Edition, published by the American Welding Society.

Welding Process - Welding process shall conform to the recommended practices and guidelines for Gas Metal Arc Welding listed in (AWS C5.8, Gas Metal Arc Welding, Recommended Practices published by the American Welding Society).

Cutting - Cutting details are to be Mechanized CNC with Laser-way and SERCO technology with liquid cooled torches.

All tolerances shall be within 1/8" of specified dimensions unless otherwise specified.

MATERIALS

A36 Grade Steel, Pickling Process (Mill Scale Stripping), Permeated Oil Bath, Tensile Strength 58000-80000 psi and Yield Strength 38000 psi.

PHYSICAL CHARACTERISTICS

All Fabricated Metal Components are Sandblasted and Slightly Etched to remove Mill Scale and then Phosphate cleaned and coated per TT-C-490, then oven dried. The Steel Part is then Pre-heated and zinc-coated and then Baked for Rust-proofing. Products are then Reheated and Powder Coating is applied to a thickness of 10-15 mils. Color is to be uniform throughout as approved by owner or specifier in accordance with manufacturer's recommendation.

REQUIRED MATERIALS FOR APPROVAL

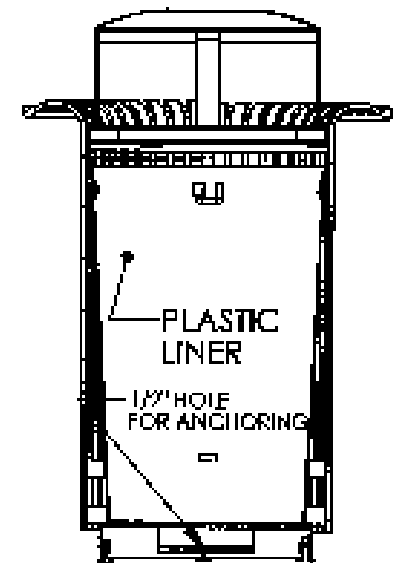
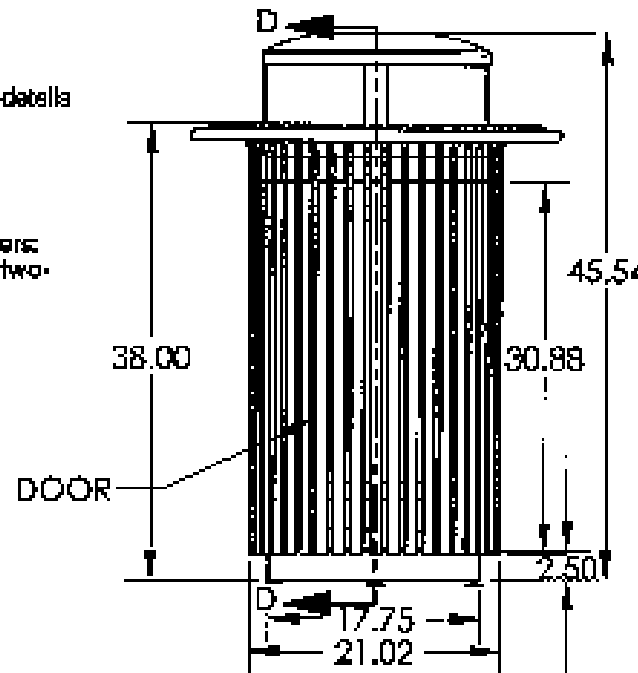
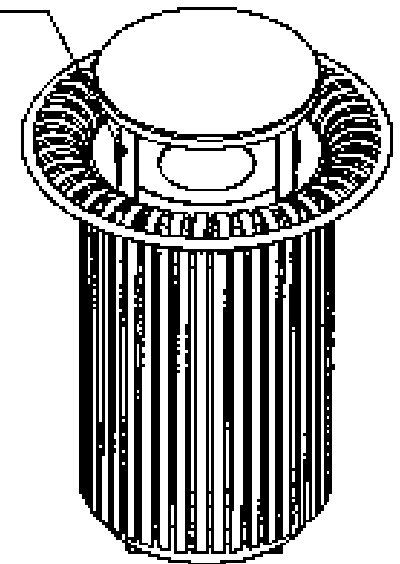
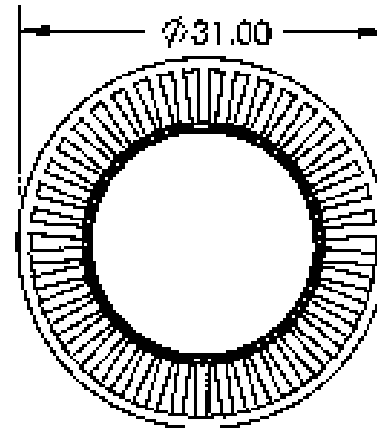
- A. Shop drawings with dimensions, general construction component parts, anchoring details and installation.
- B. Samples upon request of architect.
- C. Complete data on manufacturer's specifications and technical information.

WARRANTY

The two-year warranty for Manufacturing Metal furniture products covers Defects in workmanship, materials, and strength (chipping and cracking). The two-year warranty also covers fading or running of color. The two-year warranty DOES NOT cover Vandalism, Theft, Abuse, and Mis-use.

Model **SSHRLC**
Weight: 340 LBS

W/SPUN STEEL LID



SECTION D-D
SCALE 1:16