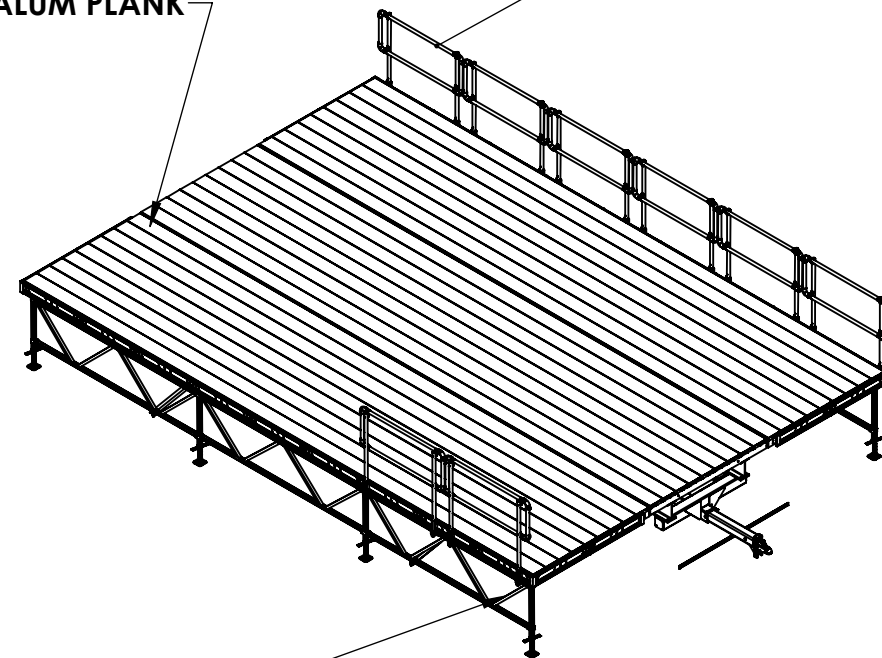


8 GUARD RAILS CAN BE REMOVED OR PLACED ANYWHERE AROUND STAGE

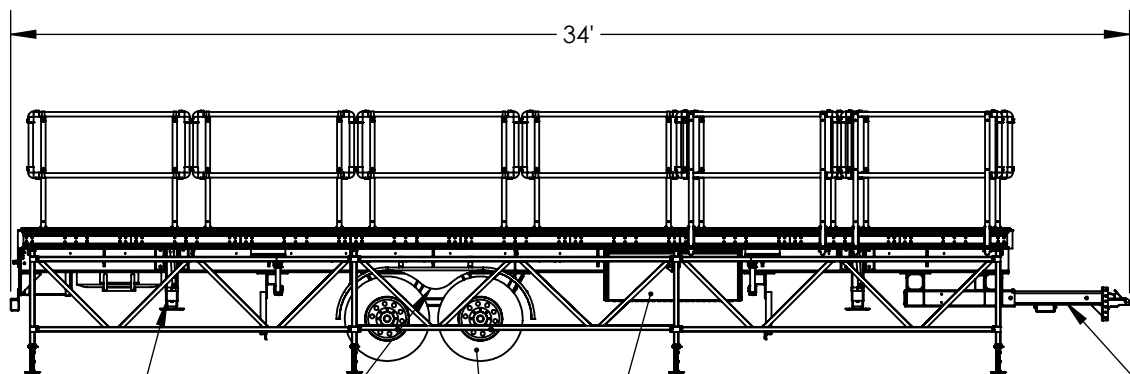
2" X 10" ALUM PLANK

MULTIPLE STAIRS CAN PLACED ANYWHERE AROUND STAGE

(1 SET IS STANDARD)



AUTOMATICALLY FOLDING WING TRUSS



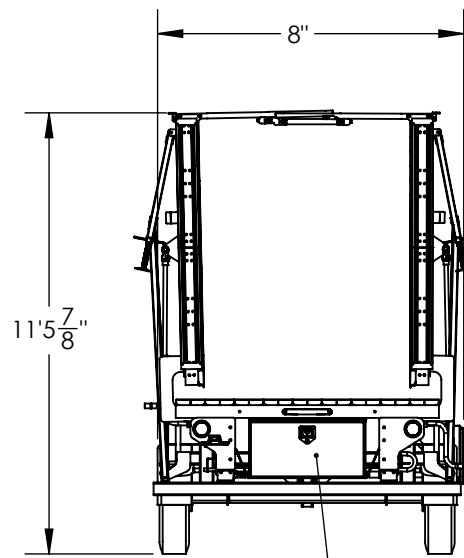
4 CHASSIS MOUNTED ADJUSTABLE JACKS

TONGUE EXTENDS FOR TOWING AND TELESCOPES WHEN NOT IN USE

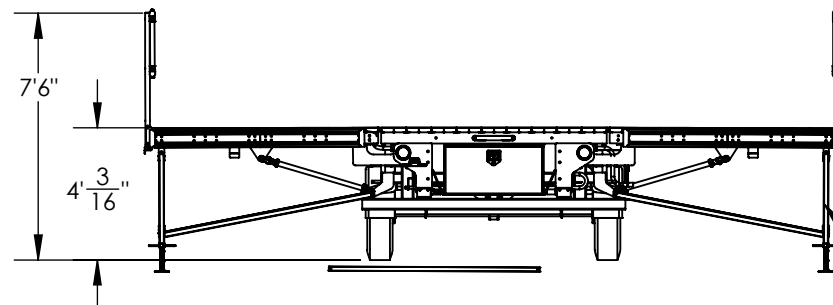
TWO 7000LB AXLES

4x 235-80-R16 TIRES

POWER BOX FOR HYDRAULICALLY FOLDING WINGS



36"x18"x18" STORAGE BOX



ADJUSTABLE WING JACKS

GALVINIZED STEEL CHASIS, ALUMINUM DECKING

WEIGHT: 8862 LBS

CONFIDENTIAL DRAWING. INFORMATION IS NOT TO BE COPIED OR DISCLOSED TO OTHERS WITHOUT CONSENT OF KAY PARK. SPECIFICATIONS SUBJECT TO CHANGE WITHOUT NOTICE.

MODEL NO:SPSTG3020A

DESC: 30'X20' HIGHWAY TOWABLE STAGE

NOT CKD

DATE: 12/19/2022



Kay Park Rec.

SHEET 1 OF 1