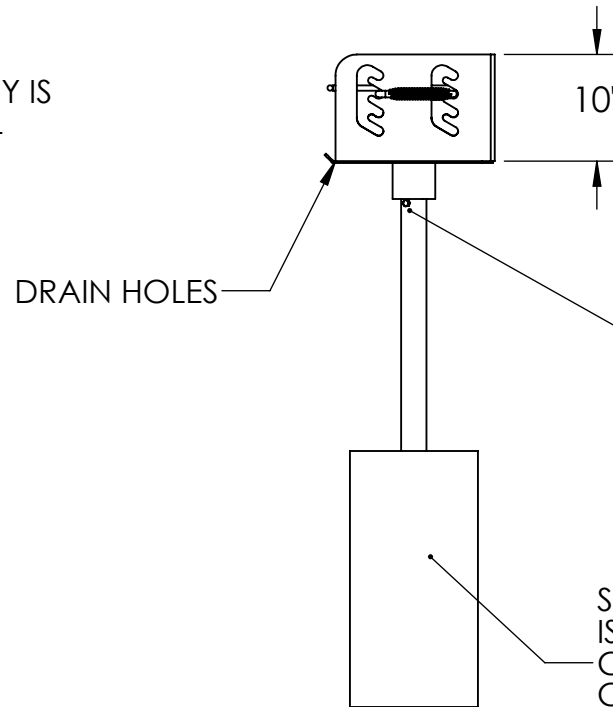
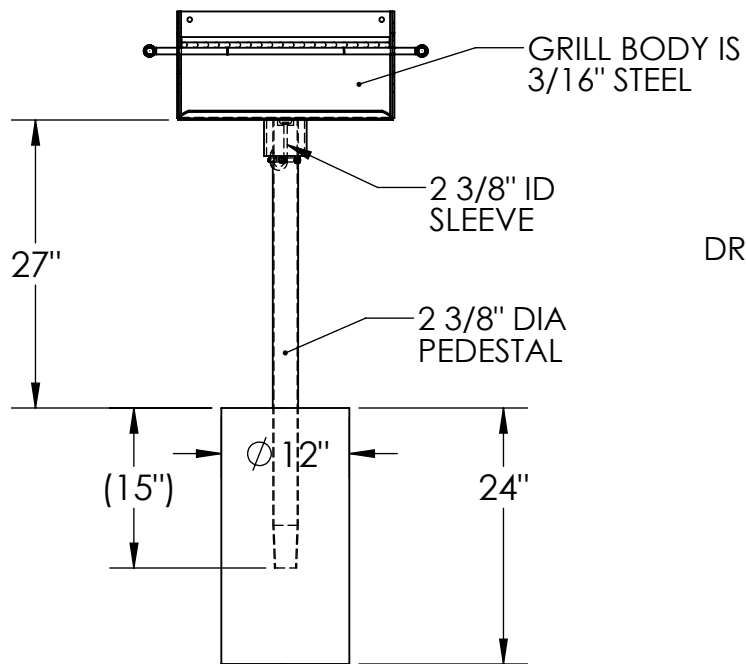
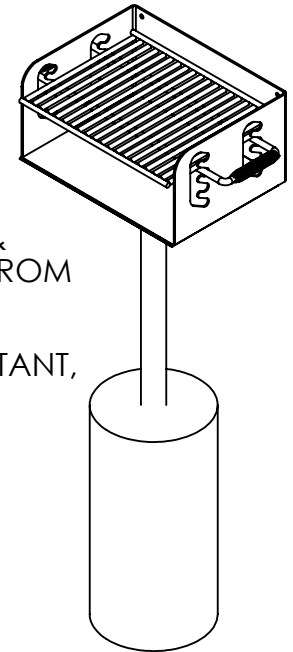


COOKING GRATE HAS (4) LEVELS OF ADJUSTMENT & CAN NOT BE REMOVED FROM GRILL BODY.

FINISH IS HIGH HEAT RESISTANT, BLACK ENAMEL PAINT.



ANTI THEFT:  
USE THE 3/8" x 3" HEX BOLT, LOCK WASHER & NUT TO ATTACH PEDESTAL TO GRILL BODY. BOLT PASSES THROUGH THE HOOK LOOP, ONCE SECURE THE GRILL WILL ROTATE FREELY.

SIZE OF CONCRETE FOOTING IS A SUGGESTION ONLY. CONSULT YOUR LOCAL BUILDING CODES FOR SOIL AND CONCRETE SPECIFICATIONS.