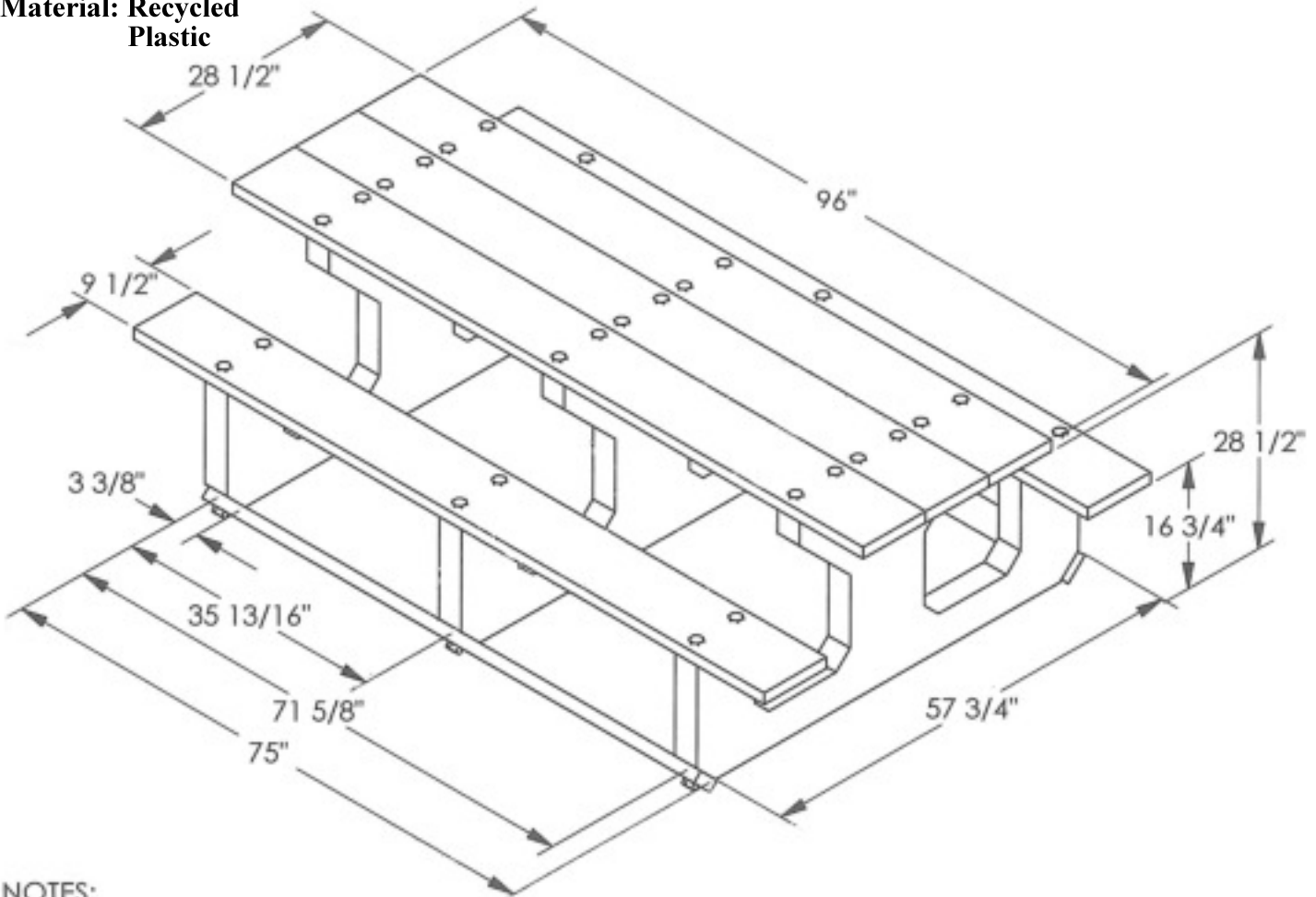




REV.	DESCRIPTION	BY	DATE	CHKD BY
A	RELEASE TO PRODUCTION	ALH	6/8/2007	JRS

Model: JPPT83
Weight: 450 Lbs
Material: Recycled Plastic



NOTES:

- 2 X 10 SLATS ARE RECYCLED PLASTIC
- BASES ARE RECYCLED PLASTIC
- ALL HOLES ARE PRE-DRILLED AND COUNTERSUNK FOR PLASTIC LUMBER
- BASES ARE HAND DRILLED IN FIELD
- ALL HARDWARE IS ZINC PLATED (1/2 X 4" LAG BOLT & 1/4 X 3 1/2" LAG SCREW)
- STAINLESS STEEL HARDWARE AVAILABLE
- UNIT WEIGHT APPROX. 450 LBS.

JOB NUMBER STANDARD		THIS MATERIAL IS THE PROPERTY OF JAYHAWK PLASTICS, INC., AND SHOULD NOT BE REPRODUCED, PUBLISHED OR DISCLOSED TO OTHERS WITHOUT AUTHORIZATION AND SHALL NOT BE USED IN ANY WAY AGAINST OR DETRIMENTAL TO JAYHAWK PLASTICS INC. OLATHE, KANSAS
DATE 6/8/2007		
DRAWN ALH	CHECKED JRS	
DESCRIPTION JPPT83		
ASSEMBLY NUMBER -		SCALE 7:128
DRAWING NO. PB 8__PIC-SPEC	CAD FILE PB 8__PIC	SHEET SHEET 1 OF 1
		REV A

UNLESS OTHERWISE SPECIFIED
 DIMENSIONS ARE IN INCHES
 TOLERANCES:
 DECIMAL FRACTION OVERALL
 .XX ± .005 ± 1/16 120 ± 3/8
 .XXX ± .005 >120 ± 1



Kay Park Recreation

Making People Places, People Friendly Since 1954!

Email us: sales@kaypark.com or Call us: (800)553-2476

1301 Pine St. Janesville, IA 50647