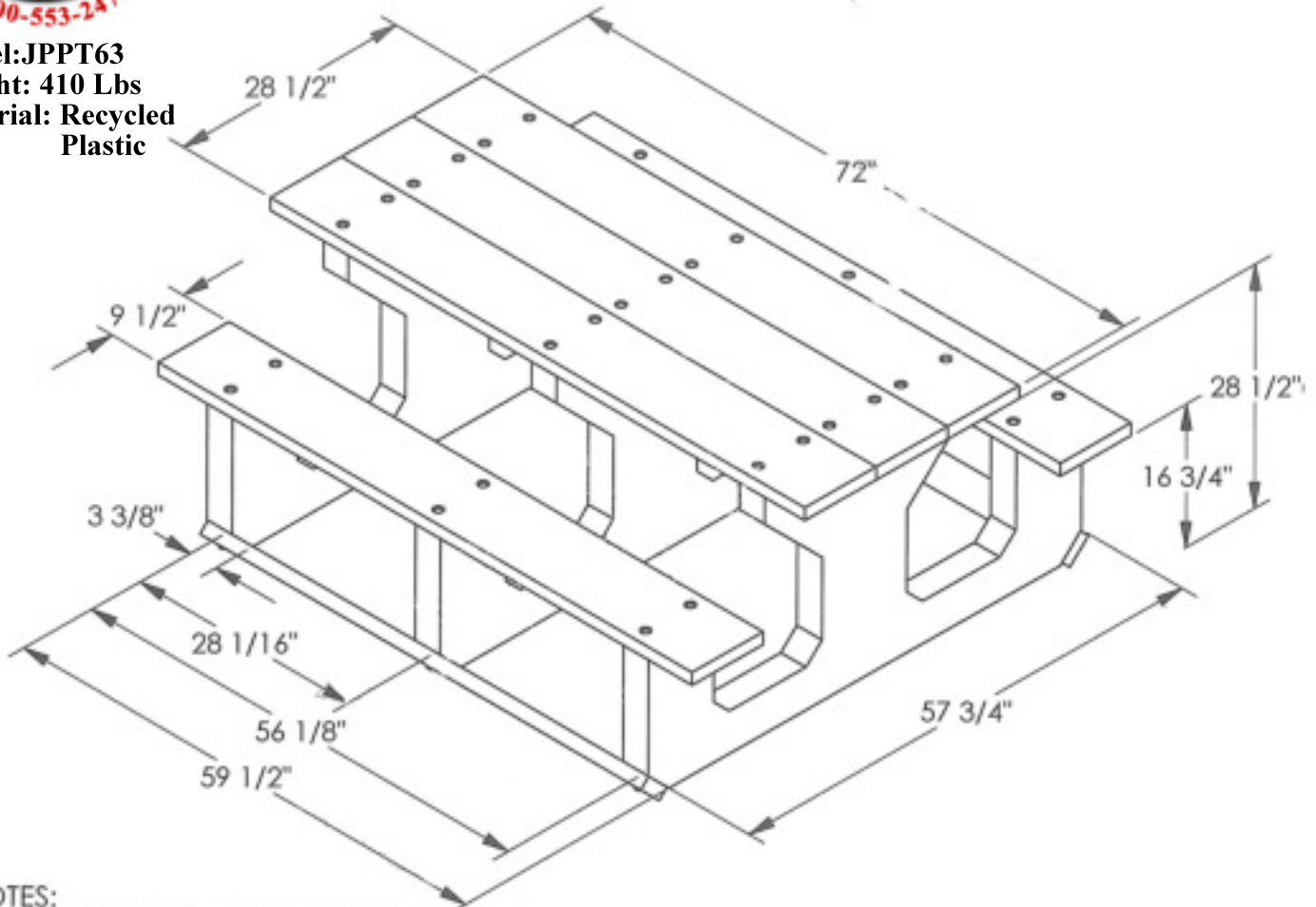




REV.	DESCRIPTION	BY	DATE	CHECKED BY
A	RELEASE TO PRODUCTION	ALH	6/8/2007	JRS

Model: JPPT63
Weight: 410 Lbs
Material: Recycled Plastic



NOTES:

- 2 X 10 SLATS ARE RECYCLED PLASTIC
- BASES ARE RECYCLED PLASTIC
- ALL HOLES ARE PRE-DRILLED AND COUNTERSUNK FOR PLASTIC LUMBER
- BASES ARE HAND DRILLED IN FIELD
- ALL HARDWARE IS ZINC PLATED (1/2 X 4" LAG BOLT & 1/4 X 3 1/2" LAG SCREW)
- STAINLESS STEEL HARDWARE AVAILABLE
- UNIT WEIGHT APPROX. 410 LBS.

JOB NUMBER STANDARD		THIS MATERIAL IS THE PROPERTY OF JAYHAWK PLASTICS, INC., AND SHOULD NOT BE REPRODUCED, PUBLISHED OR DISCLOSED TO OTHERS WITHOUT AUTHORIZATION AND SHALL NOT BE USED IN ANY WAY AGAINST OR DETRIMENTAL TO JAYHAWK PLASTICS INC. OLATHE, KANSAS	
DATE 6/8/2007			
DRAWN ALH	CHECKED JRS		
JPPT63			
ASSEMBLY NUMBER -		SCALE 1:16	
DRAWING NO. PB 6__PIC-SPEC		CAD FILE PB 6__PIC	
SHEET SHEET 1 OF 1		REV A	

UNLESS OTHERWISE SPECIFIED
 DIMENSIONS ARE IN INCHES
 TOLERANCES:
 DECIMAL FRACTION OVERALL
 .XX±.03 ±1/16 120± 3/8
 .XXX±.005 >120± 1



Kay Park Recreation
Making People Places, People Friendly Since 1954!
 Email us: sales@kaypark.com or Call us: (800)553-2476
 1301 Pine St. Janesville, IA 50647