



KAY PARK RECREATION

MAKING PLACES PEOPLE FRIENDLY • **SINCE 1954**

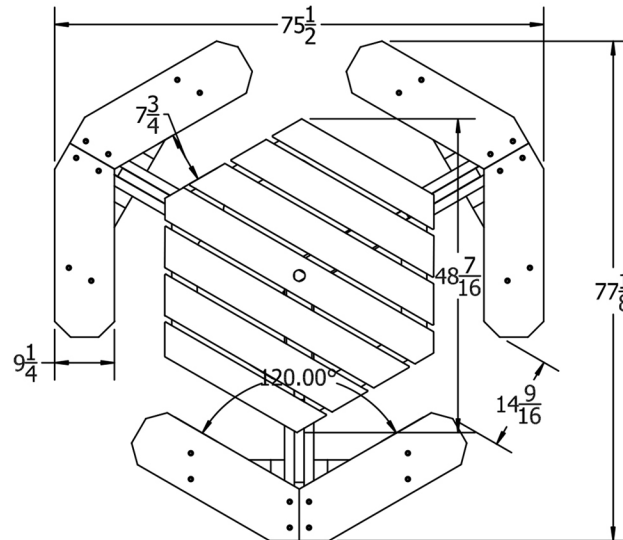
(800)553-2476 • sales@kaypark.com
1301 Pine St. Janesville, IA 50647

Hexagon Table

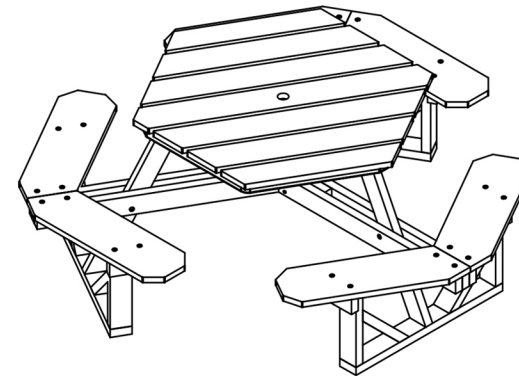
Model #: **JPHT**

Weight: **250 Lbs**

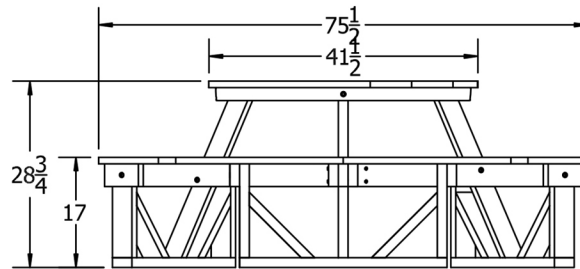
Material: **Recycled Plastic**



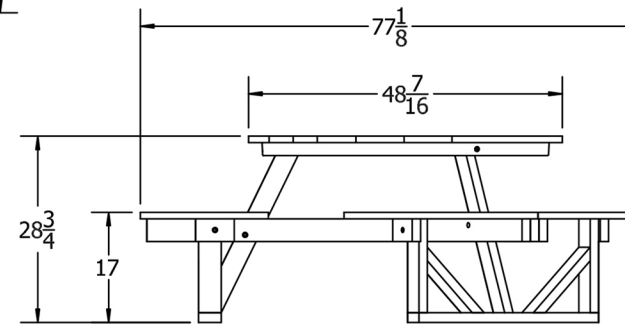
TOP VIEW



3D ISOMETRIC VIEW



FRONT VIEW



SIDE VIEW



CED



GRA



GRE

STANDARD COLORS

INSERT COLOR CODE IN PRODUCT NUMBER
CEDAR= CED, GRAY= GRA, GREEN= GRE

EXAMPLE: CEDAR HEX TABLE 6 FT. =
PB 6HEXCED

6 Ft. Hex Table Spec Sheet

© COPYRIGHT 2013-2033

THIS COPYRIGHTED MATERIAL IS THE PROPERTY OF FROG FURNISHINGS AND SHALL NOT BE REPRODUCED, PUBLISHED OR DISCLOSED TO OTHERS WITHOUT AUTHORIZATION AND CANNOT BE USED IN ANY WAY AGAINST OR DETRIMENTAL TO JAYHAWK PLASTICS INC. OLATHE, KANSAS USA





KAY PARK RECREATION

MAKING PLACES PEOPLE FRIENDLY • **SINCE 1954**

(800)553-2476 • sales@kaypark.com
1301 Pine St. Janesville, IA 50647

Hexagon Table

Model #: **JPHT**

Weight: **250 Lbs**

Material: **Recycled Plastic**

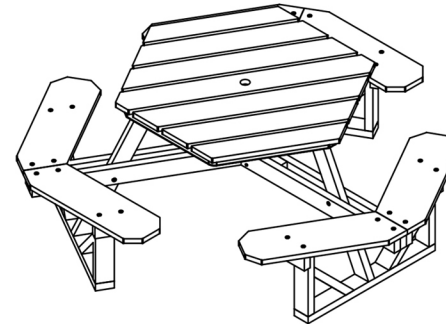
General Product Information

Product Name- 6 Foot Hex Table
Manufacturer- Frog Furnishings, Inc.
Product Number- PB 6HEX__

Standard Colors  CED  GRA  GRE

INSERT COLOR CODE IN PRODUCT NUMBER
CEDAR= CED, GRAY= GRA, GREEN= GRE

EXAMPLE: CEDAR HEX TABLE 6 FT. =
PB 6HEX**CED**



Construction

Hex table will be constructed of the highest grade recycled plastic containing post consumer waste. Materials will contain a proprietary coloring process and unique UV protection.

Table Top- Will be fabricated with a minimum of 1 x 6 Resinwood slats mounted on a proprietary one piece molded plastic substructure. No hardware will be visible on the top surface.

Table Support- Minimum of 1 x 4 Resinwood prefabricated to ease assembly.

Seats- Must be of 2 x 10 Resinwood slats with edges routed and or chamfered.

Hardware- Assembly hardware will be provided in high grade stainless steel.

Size- Hex Table dimensions will be as shown on the specification drawing + or -.

Warranty

All materials and workmanship will be guaranteed for five (5) years.

(800)553-2476 • sales@kaypark.com • 1301 Pine St. Janesville, IA 50647

