



KAY PARK RECREATION

MAKING PLACES PEOPLE FRIENDLY • **SINCE 1954**

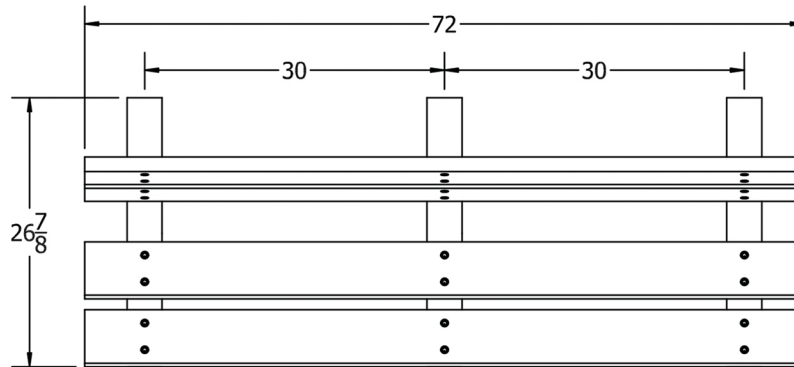
(800)553-2476 • sales@kaypark.com
1301 Pine St. Janesville, IA 50647

6' Colonial Bench

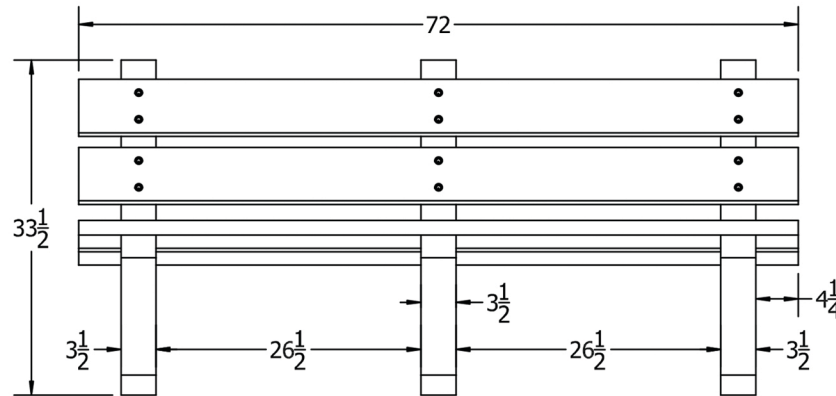
Model #: **JPCB6**

Weight: **160 Lbs**

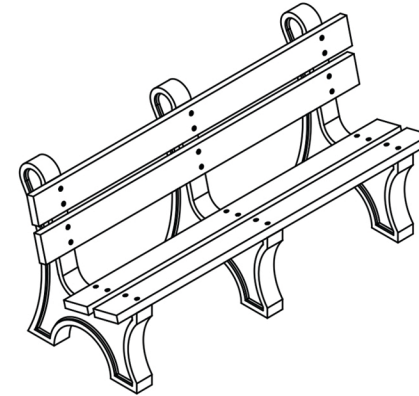
Material: **Recycled Plastic**



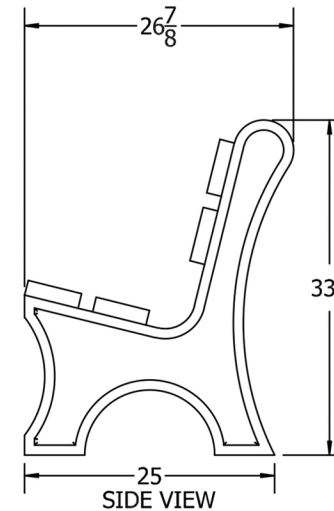
TOP VIEW



FRONT VIEW



3D ISOMETRIC VIEW



SIDE VIEW



STANDARD COLORS



OPTIONAL COLORS

INSERT COLOR CODE IN PRODUCT NUMBER
CEDAR= CED, GRAY= GRA, GREEN= GRE,
BLACK= BLA, WHITE=WHI

EXAMPLE: GRAY COLONIAL 6 FT. BENCH =
PB 6**GRA**COLE

