



KAY PARK RECREATION

MAKING PLACES PEOPLE FRIENDLY • **SINCE 1954**

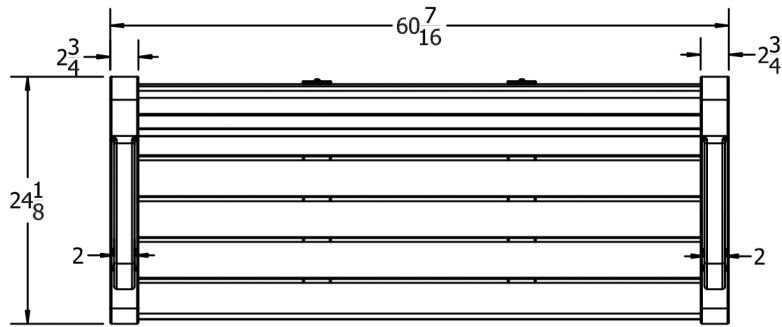
(800)553-2476 • sales@kaypark.com
1301 Pine St. Janesville, IA 50647

5' Heritage Bench

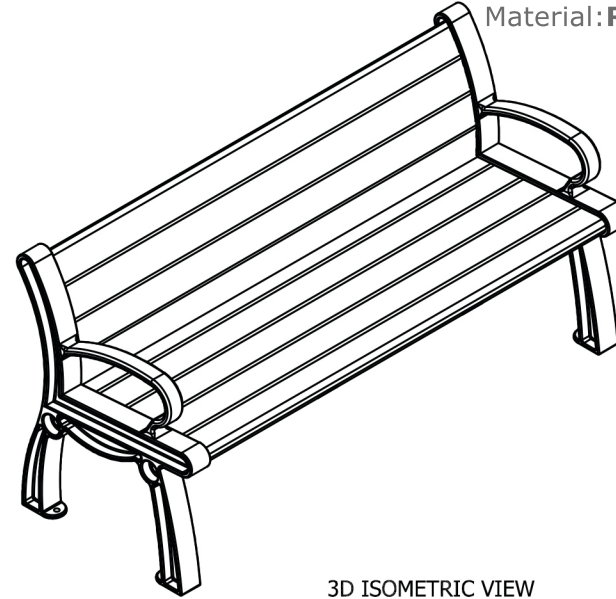
Model #: **JPAB5**

Weight: **120 Lbs**

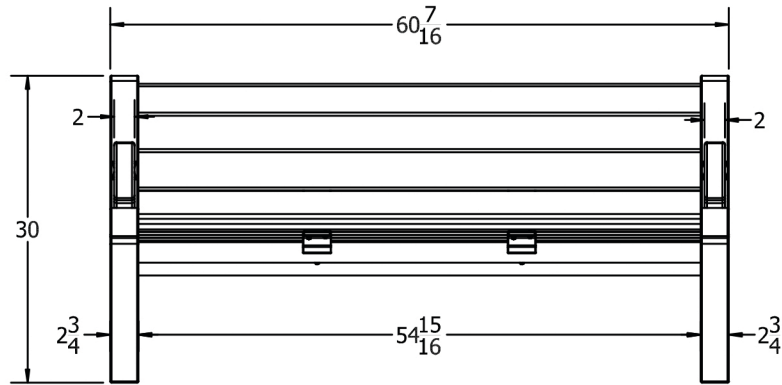
Material: **Recycled Plastic**



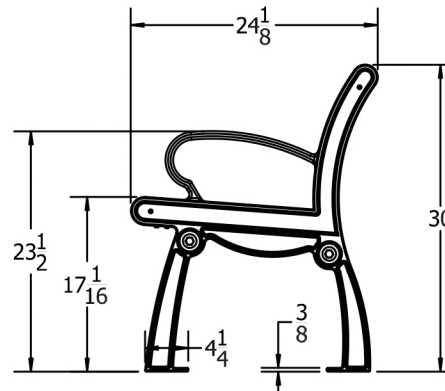
TOP VIEW



3D ISOMETRIC VIEW



FRONT VIEW



SIDE VIEW



INSERT COLOR CODE IN PRODUCT NUMBER
CEDAR= CED, GRAY= GRA, GREEN= GRE, BLACK= BLA,
BLUE= BLU, BROWN= BRO, RED= RED, WHITE= WHI

EXAMPLE: CEDAR HERITAGE 5 FT. BENCH W/
BLACK FRAME = PB 5**CED**BFHER

