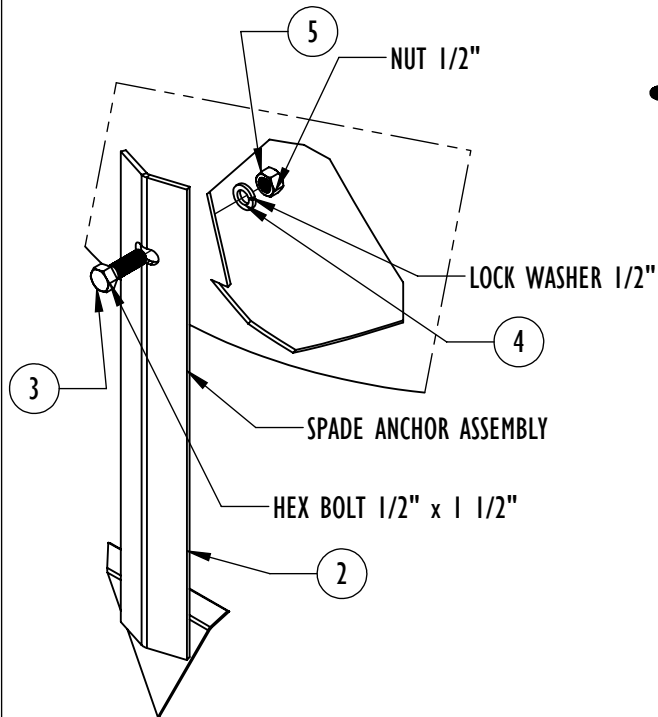
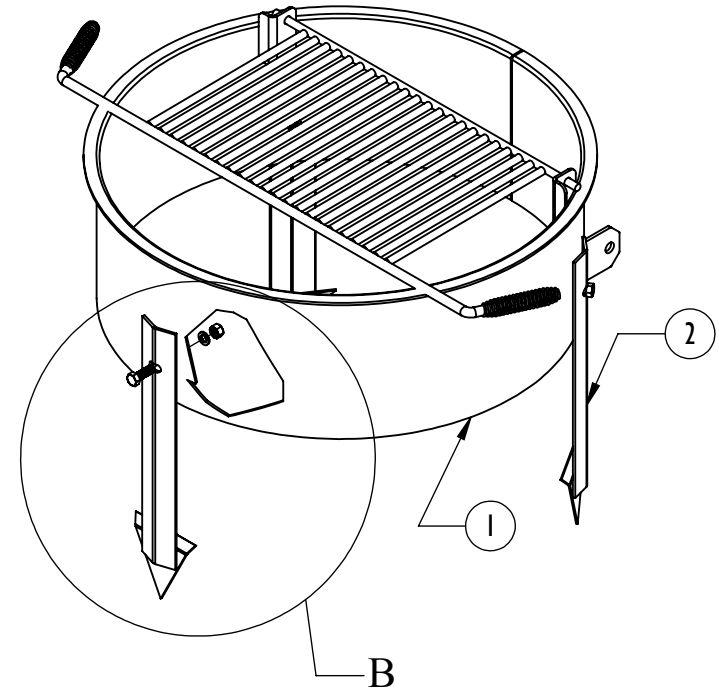
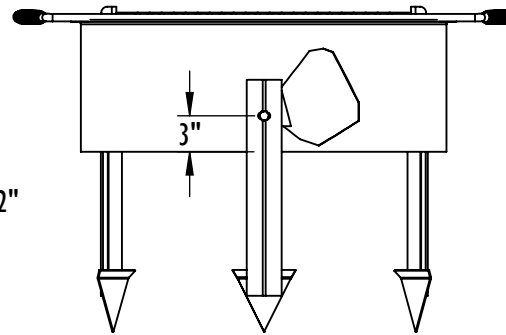


ITEM NO.	PART NUMBER	DESCRIPTION	QTY.
1	FR11-SA4	GRILL FINAL ASSEMBLY FR1130	1
2	IFP-SAS	SPADE ANCHOR ASSEMBLY	3
3	HEX-1/2x112	HEX BOLT 1/2" x 1 1/2"	3
4	LOCKW-1/2	1/2" LOCK WASHER	3
5	NUT-1/2	NUT 1/2"	3


1. Before the assembly mark line on the ground the out side the grill for anchor spade placement and at as same time mark the center line where is bolts mount to grill.
2. Then take a hammer and insert the spade anchor into ground from outside line. Repeat this step with other spade anchors.
3. Place (3) 1/2" x 1 1/2" Hex Bolts into the hole of the Spade anchor and through the hole of base grill and other side use lock washer and nuts.



**DETAIL B**



CONFIDENTIAL DRAWING AND INFORMATION IS NOT TO BE COPIED OR DISCLOSED TO OTHERS WITHOUT THE CONSENT OF KAY PARK. SPECIFICATIONS ARE SUBJECT TO CHANGE WITHOUT NOTICE.

		<b>Kay Park Rec</b>	
DESC. FR730 FIRERING WITH 11" SIDES SPADE ANCHORS			
MODEL NUMBER. FR1130SAS			WT.
DRAWN BY PAK	DATE 4/1/2013	Sheet 1 of 1	SCALE NONE