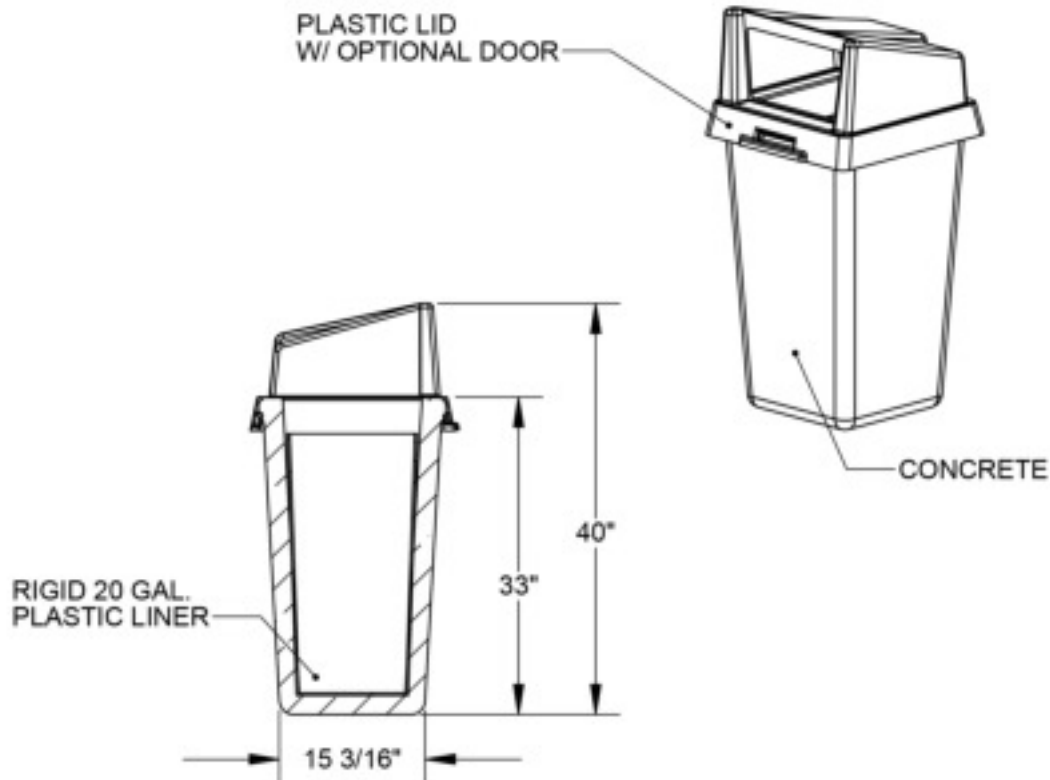
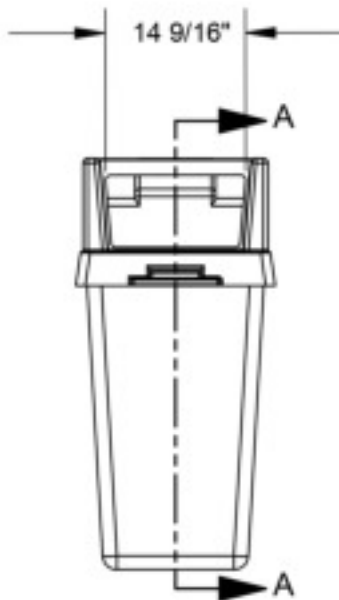


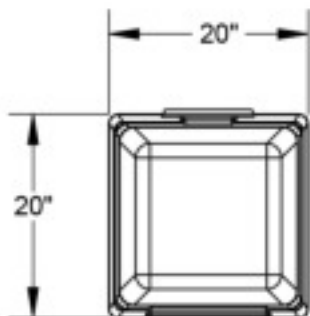


PART# : 500-0626
 MODEL: **CTCS22PB**
 WEIGHT: 400 LBS
 MATERIAL: CONCRETE



RIGID 20 GAL.
 PLASTIC LINER

SECTION A-A



APPROVED MANUFACTURER

Petersen Concrete Leisure Products
 Division of Petersen Mfg. Co., Inc.
 2741 Hwy 30
 Denison, IA 51442 800-832-7383



Kay Park Recreation

Making People Places, People Friendly Since 1954!

Email us: sales@kaypark.com or Call us: (800)553-2476

1301 Pine St. PO. Box 477 Janesville, IA 50647

PROPRIETARY AND CONFIDENTIAL

THE INFORMATION CONTAINED IN THIS DRAWING IS THE SOLE PROPERTY OF PETERSEN MFG. CO.. ANY REPRODUCTION IN PART OR AS A WHOLE WITHOUT THE WRITTEN PERMISSION OF PETERSEN MFG. CO. IS PROHIBITED.