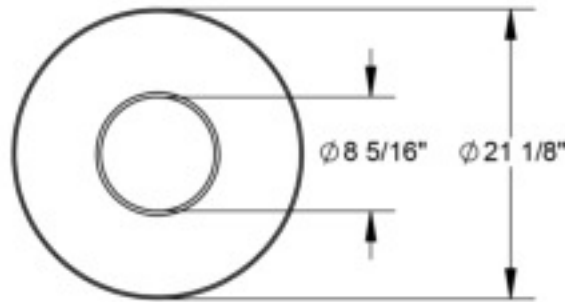
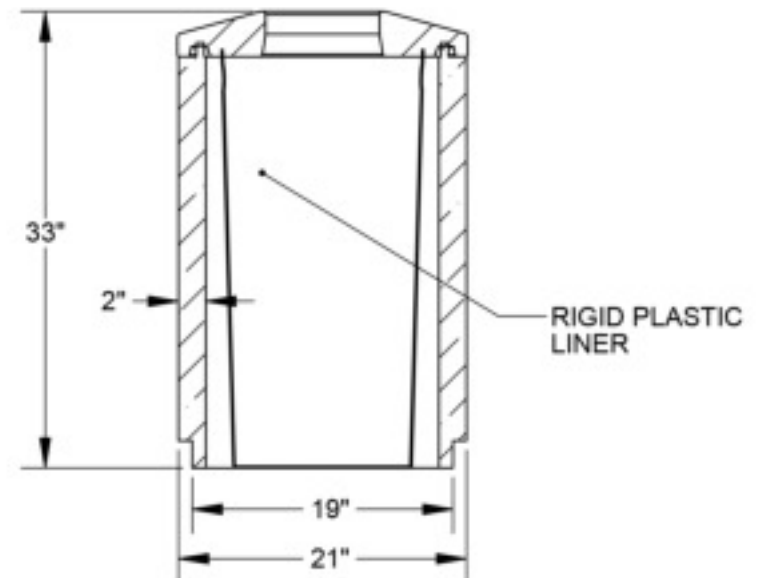
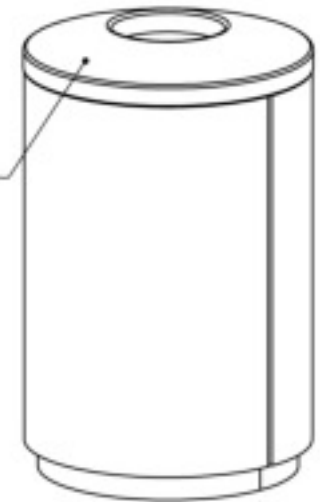




PART# : 500-0703
 MODEL: **CTCR22FP**
 WEIGHT: 300 LBS
 MATERIAL: CONCRETE



PLASTIC LID
 W/ CABLE ATT.



SECTION A-A
 SCALE 1 : 14

APPROVED MANUFACTURER

Petersen Concrete Leisure Products
 Division of Petersen Mfg. Co., Inc.
 2741 Hwy 30
 Denison, IA 51442 800-832-7383



Kay Park Recreation

Making People Places, People Friendly Since 1954!

Email us: sales@kaypark.com or Call us: (800)553-2476

1301 Pine St. P.O. Box 477 Janesville, IA 50647

PROPRIETARY AND CONFIDENTIAL

THE INFORMATION CONTAINED IN THIS
 DRAWING IS THE SOLE PROPERTY OF
 PETERSEN MFG. CO. ANY
 REPRODUCTION IN PART OR AS A WHOLE
 WITHOUT THE WRITTEN PERMISSION OF
 PETERSEN MFG. CO. IS PROHIBITED.