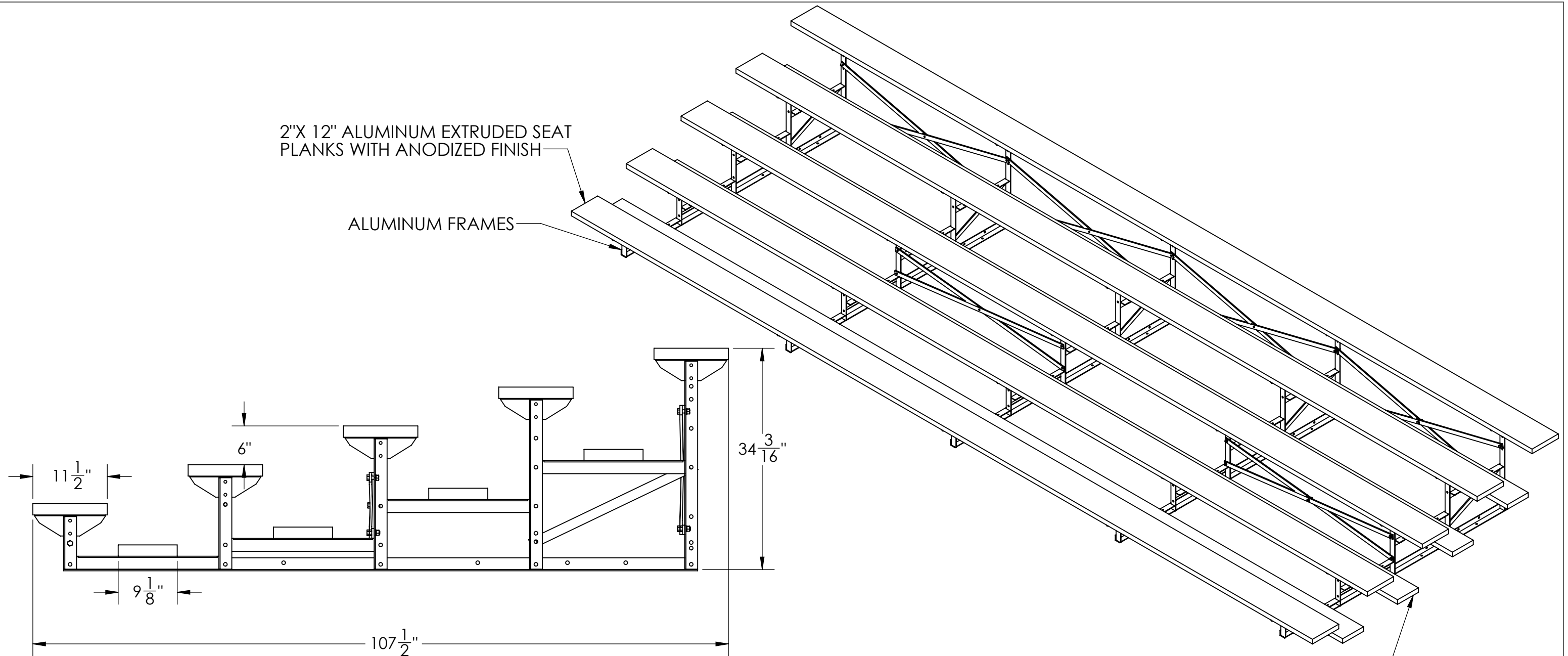
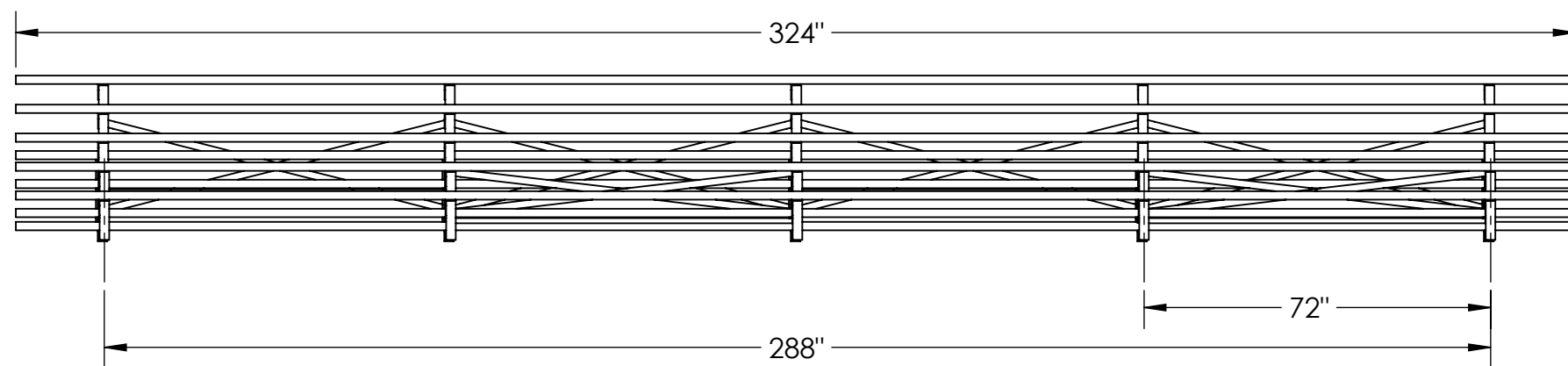
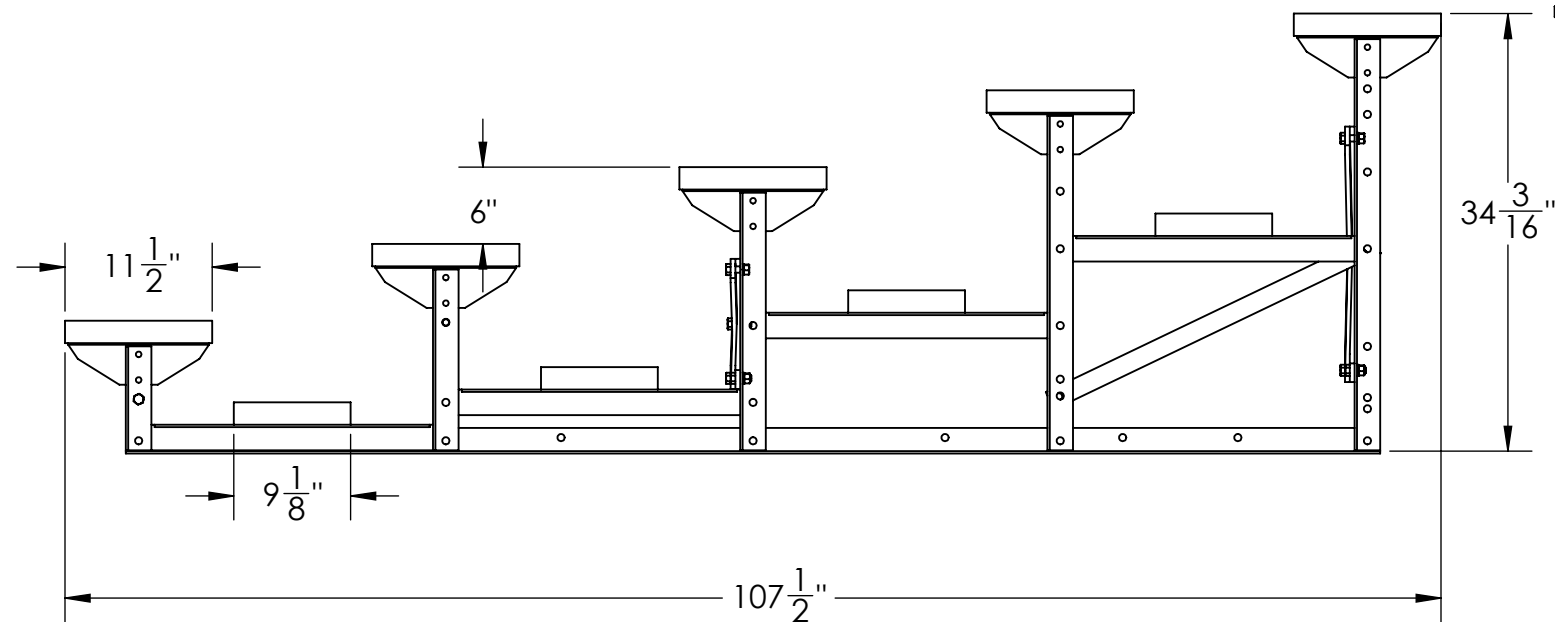


2"X 12" ALUMINUM EXTRUDED SEAT
PLANKS WITH ANODIZED FINISH

ALUMINUM FRAMES



2"X 10" ALUMINUM EXTRUDED
FOOT PLANKS WITH MILL FINISH



WGT: 2100 LBS

GENERAL NOTES	DIMENSIONS ARE IN INCHES TOLERANCES: LINEAR: $\pm 1/16$ ANGULAR: $\pm 1^\circ$			SHEET SIZE B	SCALE 1:35	REV		Kay Park Rec.
	CONFIDENTIAL DRAWING. INFORMATION IS NOT TO BE COPIED OR DISCLOSED TO OTHERS WITHOUT CONSENT OF KAY INDUSTRIES. SPECIFICATIONS SUBJECT TO CHANGE WITHOUT NOTICE.			DRAWN BY JNB	JNB	4/24/2017	DESC:	5 ROW 27' LOW RISE BLEACHER
				APPROVED				MATL:
				LAST SAVED	johnb	4/24/2017		PART NO: BLRA5A27
PATH TO PART OR ASSM - BLRA5A27		S:\CADDRWGS\Solidworks\Bleachers\BLA\Low Rise\		Configuration - Solid Plank		4/24/2017 4:21:10 PM		SHEET 1 OF 3