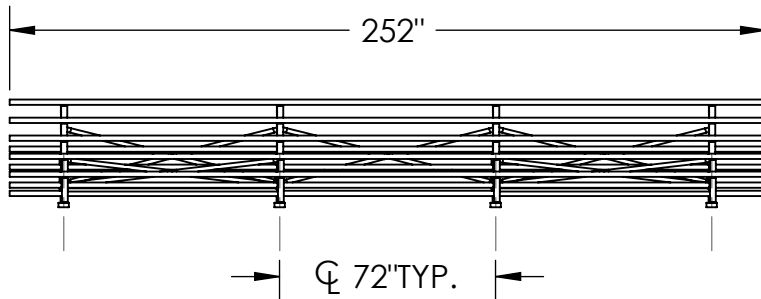


108"

Nominal 2"x12"x.078
Aluminum Alloy 6063
T6 Extruded Seat plank
with an Anodized Finish

Nominal 2"x10"x.078
Aluminum Alloy 6063
T6 Extruded Single Foot
Board with a Mill Finish



252"

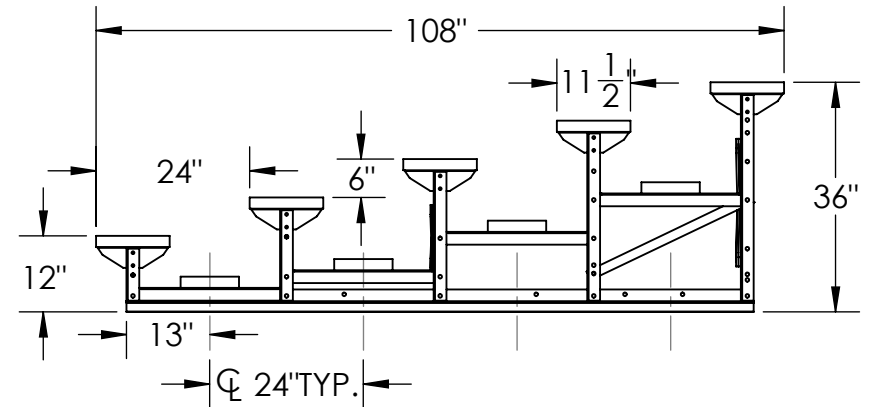
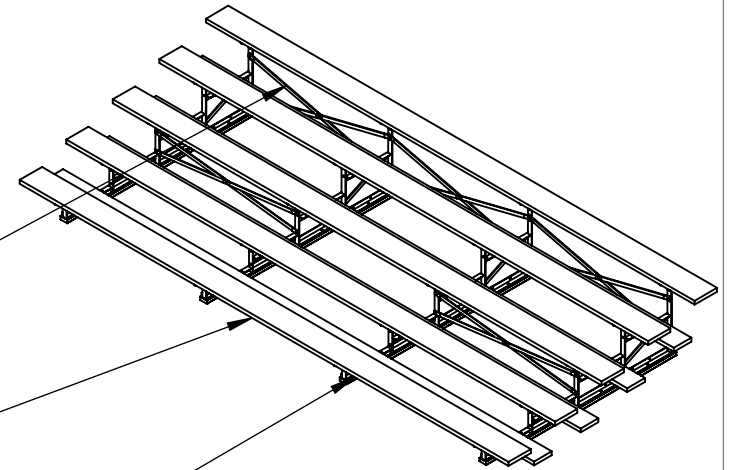
☉ 72" TYP.

Frame Anchor Spacing

3/8" x 1-1/2"
Aluminum
X Braces

1" O.D.
Galvanized 1st
Row Tube Brace

Optional 2"x4" #1
Southern Yellow
Pine Mudsill Shown



108"

11 1/2"

24"

6"

12"

13"

36"

☉ 24" TYP.

Frame Anchor Spacing

	Initials	Date	Kay Park-Rec Corp. 1301 Pine Street Janesville, IA 50647 1-800-553-2476 WWW.KAYPARK.COM	Spec Drawing Model #: BLRA5A21	Notes: This Drawing and all information contained herein is the property of Kay Park Rec. and is not to be reproduced without express written permission. Kay Park Rec. assumes no responsibility for unauthorized use of this drawing. Kay Park Rec. is not responsible for local permits and occupancy requirements.
Created:		2/22/2011		Description: 5 Row 21 Foot Low Rise Aluminum Frame Bleacher with Aluminum Planking and Single Foot Boards	
Saved:		2/22/2011			



S:\CADDRWGS\Solidworks\Bleachers\Spec Drawings\