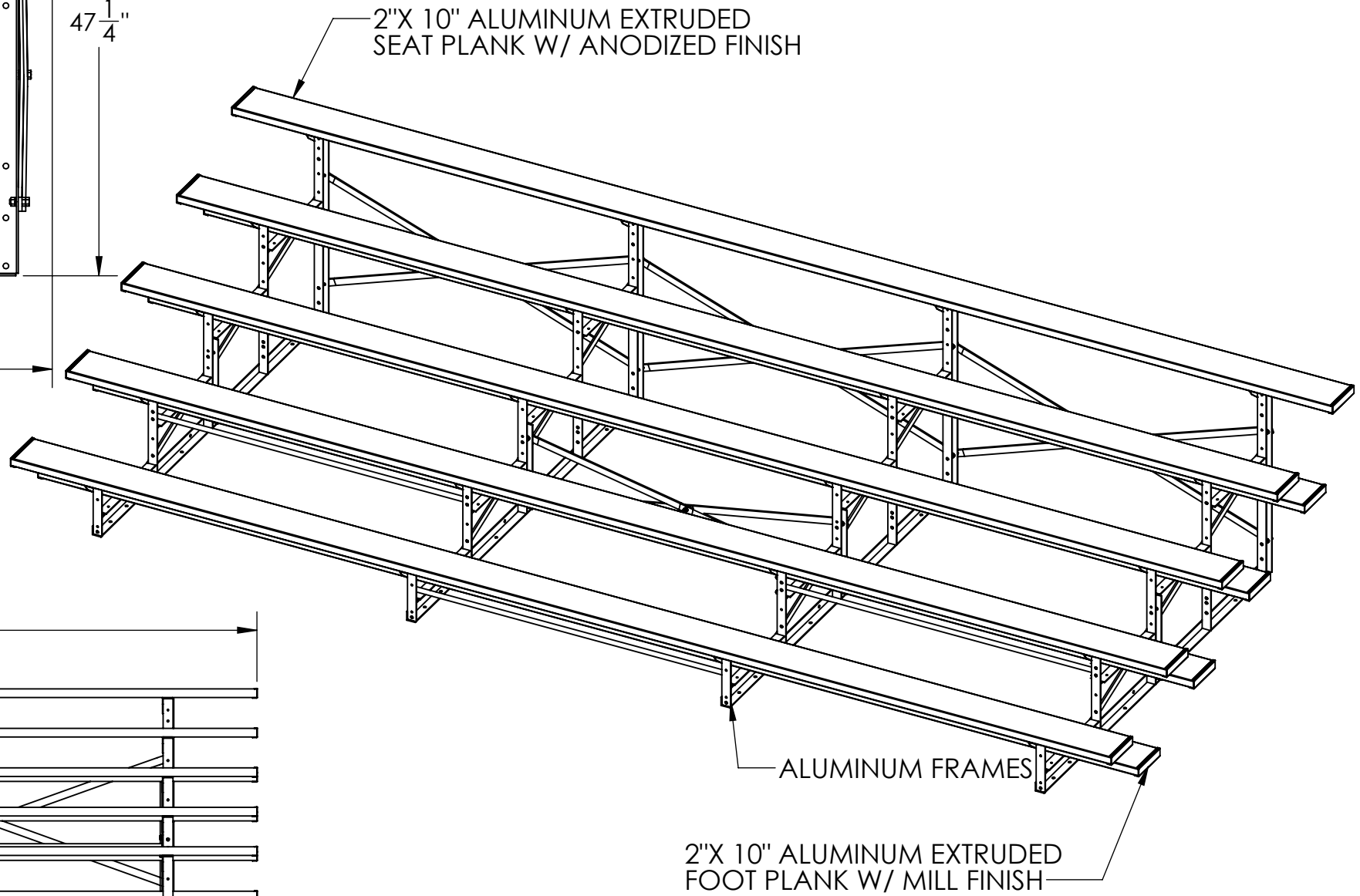
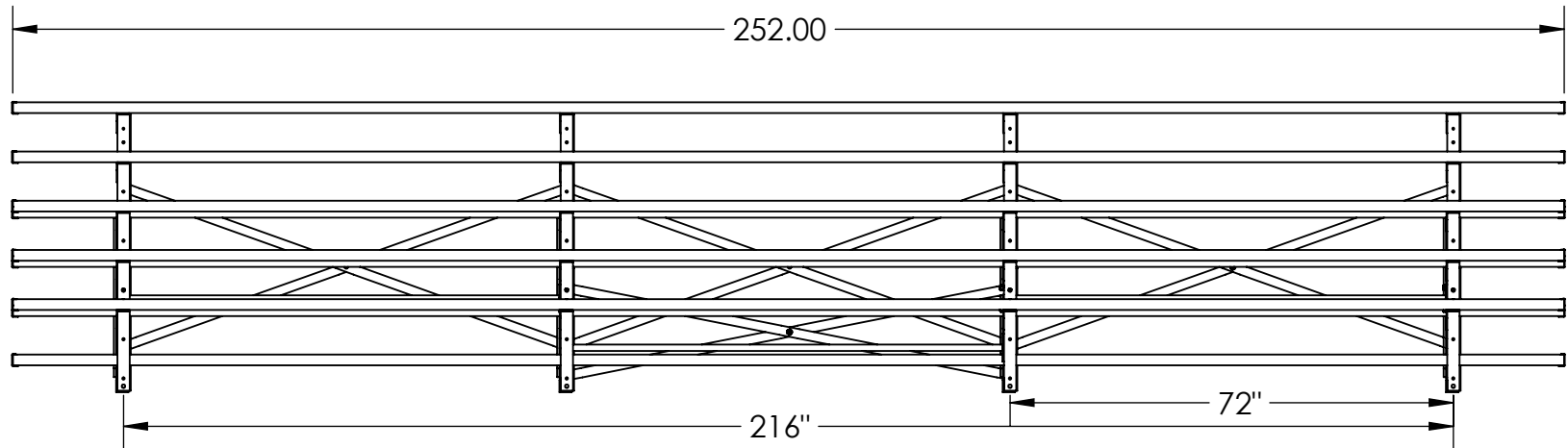


105 1/8"

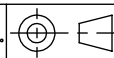


WGT: 535 LBS

GENERAL NOTES

DIMENSIONS ARE IN INCHES
 TOLERANCES: LINEAR: ± 1/16
 ANGULAR: ± 1°

CONFIDENTIAL DRAWING.
 INFORMATION IS NOT TO BE COPIED OR
 DISCLOSED TO OTHERS WITHOUT
 CONSENT OF KAY INDUSTRIES.
 SPECIFICATIONS SUBJECT TO CHANGE
 WITHOUT NOTICE.



SHEET SIZE
B

DRAWN BY
 JNB

APPROVED

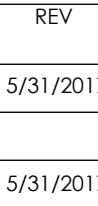
LAST SAVED
 johnb

SCALE
 1:30

REV

5/31/2017

5/31/2017



Kay Park Rec.

DESC: 21' 5 ROW ALUMINUM BLEACHER

MATL:

PART NO: BLA5A21