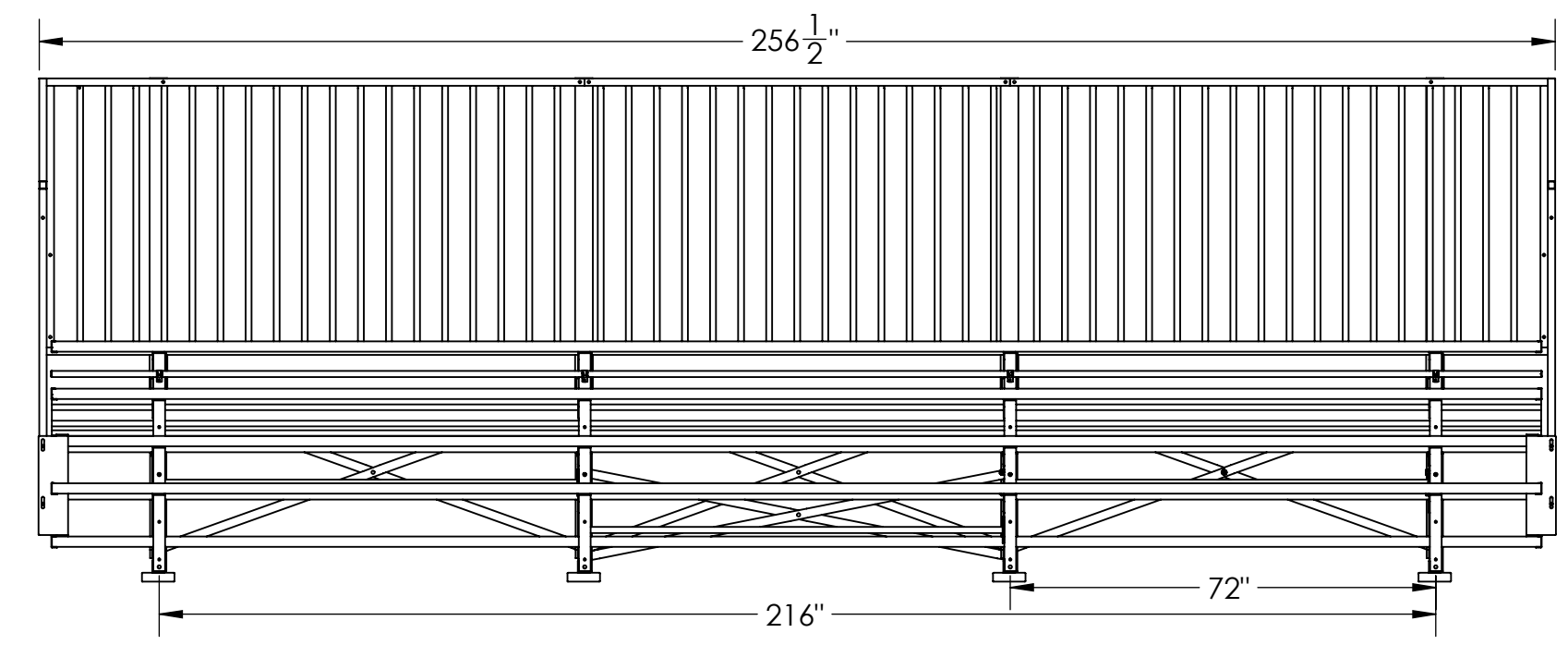


2"X 10" EXTRUDED ALUMINUM SEAT PLANKS WITH ANODIZED FINISH .78 NOMINAL WALL

ALUMINUM FRAMES FABRICATED FROM 3/16"X 2"X 2" EXTRUDED ALUMINUM ANGLE 6061-T6

2"X 6" TREATED SOUTHERN YELLOW PINE MUDSILLS

DUAL 2"X 10" EXTRUDED ALUMINUM FOOT PLANKS WITH MILL FINISH .78 NOMINAL WALL



- ALL PARTS ARE FASTENED WITH 1/2"-13 HEX BOLTS, LOCK WASHERS, AND NUTS
- WE USE BOLTS RATHER THAN WELDING JOINTS AND REAMS TO AVOID STRESS CRACKING OF THE WELDS
- SEAT BRACKETS ARE MADE FROM 1/8" ALUMINUM SHEET 5052-H32
- ALL BLEACHER FRAMES ARE CENTERED ON 72 INCHES
- PLANK OVERHAND ON EACH END OF THE BLEACHER IS APPROX. 18"

GENERAL NOTES	DIMENSIONS ARE IN INCHES TOLERANCES: LINEAR: ± 1/16 ANGULAR: ± 1°		SHEET SIZE B	SCALE 1:30	REV		Kay Park Rec.
	CONFIDENTIAL DRAWING. INFORMATION IS NOT TO BE COPIED OR DISCLOSED TO OTHERS WITHOUT CONSENT OF KAY INDUSTRIES. SPECIFICATIONS SUBJECT TO CHANGE WITHOUT NOTICE.	DRAWN BY	JNB	1/31/2011	DESC:	4 Row 21 Foot Aluminum Frame Bleacher with Aluminum Planking, Vertical Guardrails, and Double Foot Boards	
		APPROVED			MATL:	4 ROW 21' BLEACHER W/ RAILING & DBL FTBDS	
		LAST SAVED	johnb	10/10/2017	PART NO: BLA4A21V4F4		