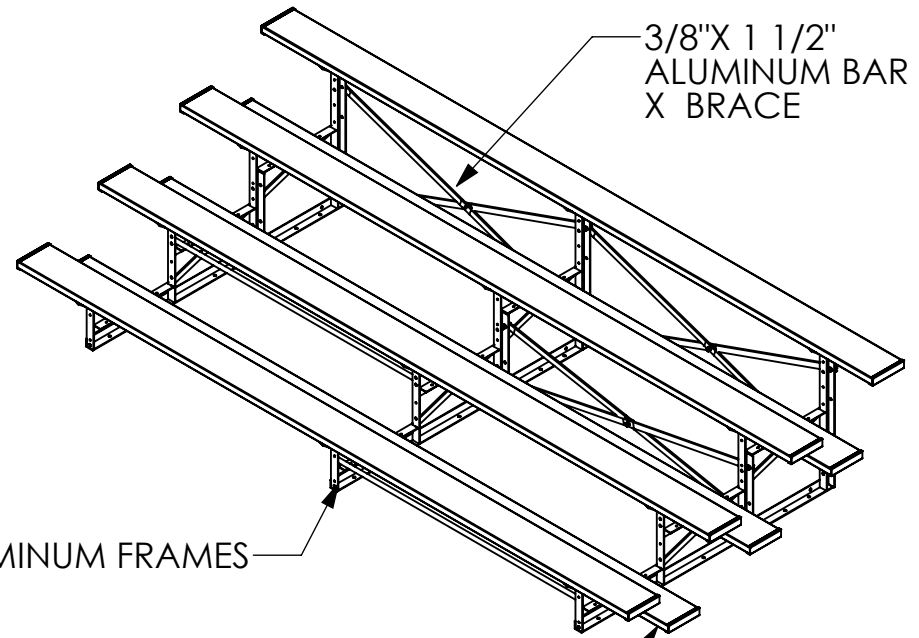
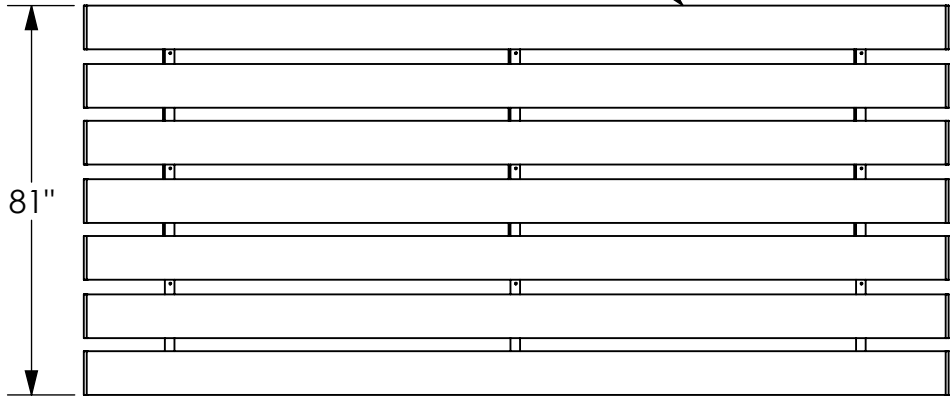
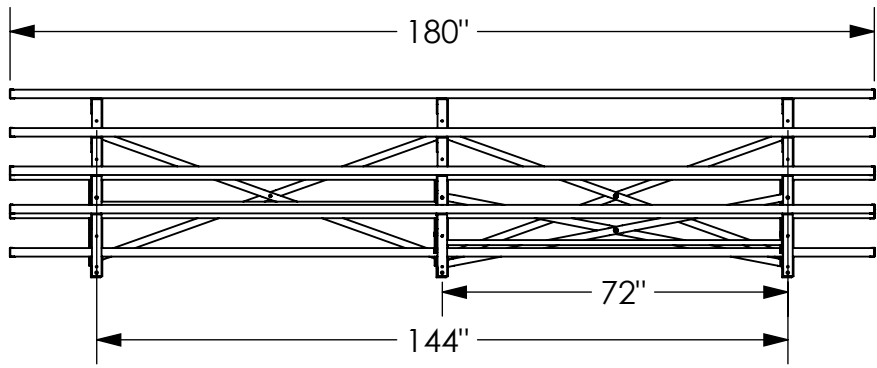
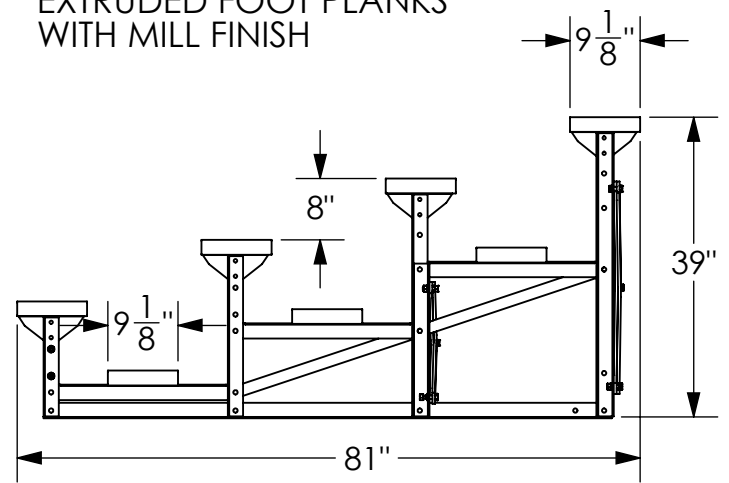


2"X 10" ALUMINUM
EXTRUDED SEAT PLANKS
WITH ANODIZED FINISH

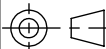


2"X 10" ALUMINUM
EXTRUDED FOOT PLANKS
WITH MILL FINISH



GENERAL NOTES

DIMENSIONS ARE IN INCHES
TOLERANCES: LINEAR: ± 1/16
ANGULAR: ± 1°



CONFIDENTIAL DRAWING.
INFORMATION IS NOT TO BE COPIED OR
DISCLOSED TO OTHERS WITHOUT
CONSENT OF KAY INDUSTRIES.
SPECIFICATIONS SUBJECT TO CHANGE
WITHOUT NOTICE.

SHEET SIZE

A

SCALE

1:40

REV



Kay Park Rec.

4 ROW ALUM. BLEACHER

DRAWN BY

JNB

3/13/2017

DESC:

APPROVED

MATL:

LAST SAVED

johnb

9/19/2017

PART NO: BLA4A15