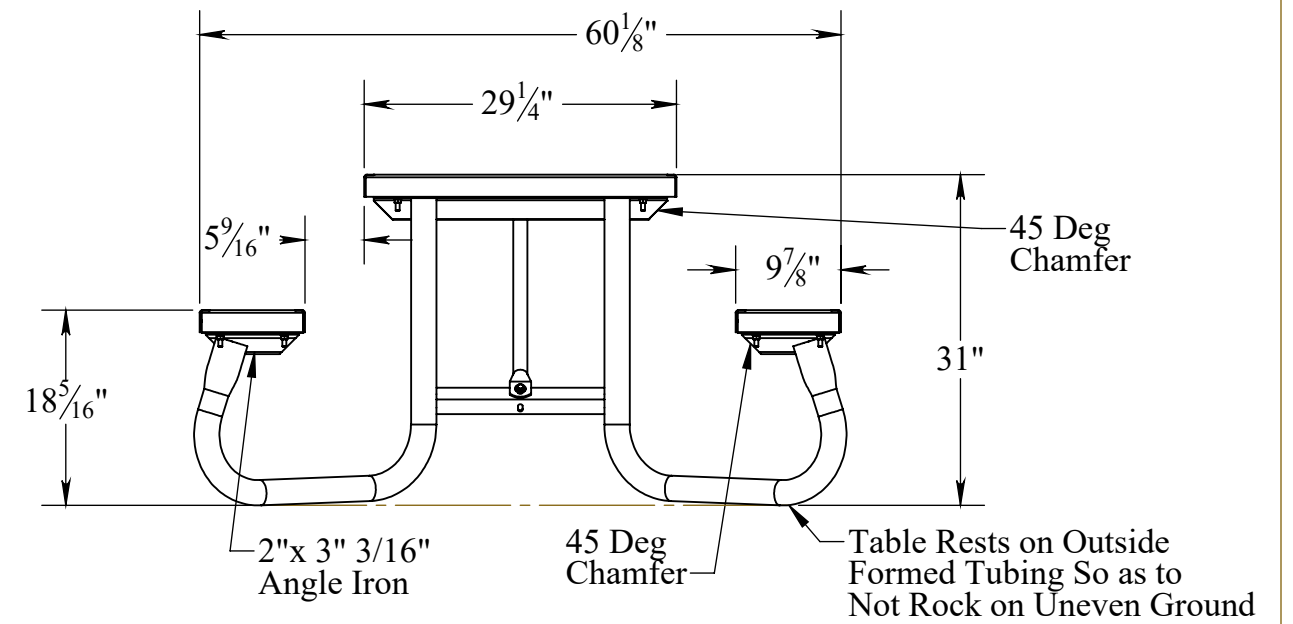
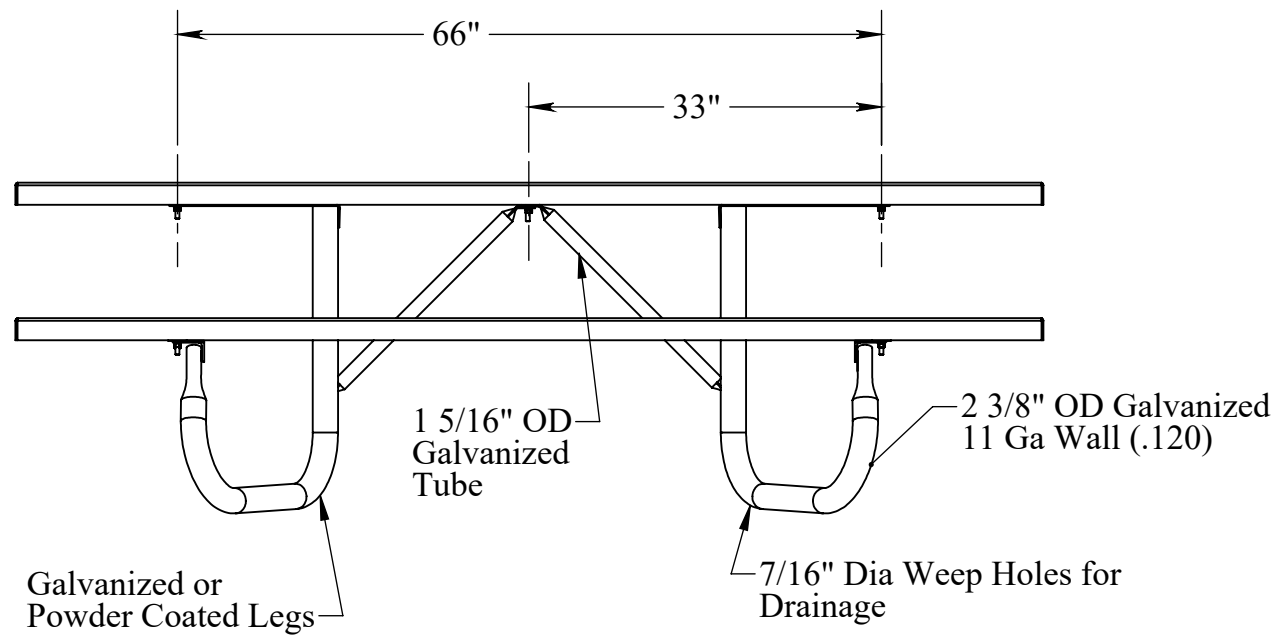


Vinyl Plastisol Coated  
Seats 3/4" #9 Expanded  
Metal With 1/8"x 1/2"x 1 1/2"  
Steel Frame Channels

Vinyl Plastisol Coated  
Top 3/4" #9 Expanded  
Metal With 1/8"x 1/2"x 1 1/2"  
Steel Frame Channels

8J2GVPUWC----HAS GALVANIZED LEGS and BRACES  
8J2CVPUWC----HAS POWDER COATED LEGS and BRACES



GENERAL NOTES:

UNLESS OTHERWISE SPECIFIED:

DIMENSIONS ARE IN INCHES  
TOLERANCES:  
FRACTIONAL ± 1/32  
BEND ± 1/2°  
THREE PLACE DECIMAL ± .005  
Do Not Scale Drawing

MATERIAL

SHEET 2 OF 2

NAME DATE

DRAWN **DAT** 9/19/2016

CHECKED

ENG APPR.

MFG APPR.

Last Saved 10/3/2016 4:26:34 PM

COMMENTS:



**K Industries, Inc.**

TITLE:

DESC. ADA TABLE 8 FT. VINYL PLASTISOL

S:\CADDRWGS\Solidworks\Tables\J2\New Handicap Table 062016\

SIZE

**B**

PART NO.  
**8J2CVPUWC**

REV