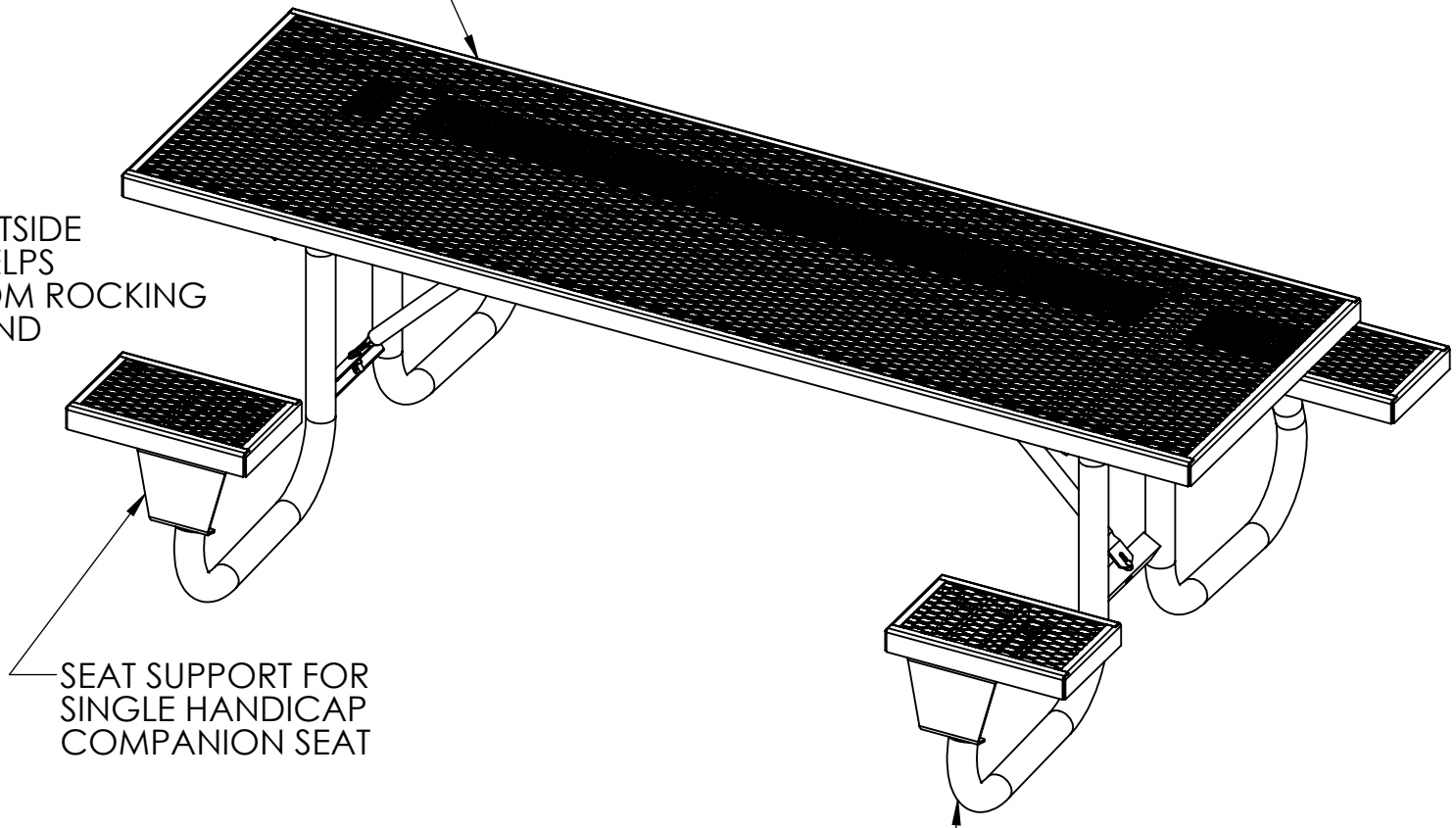


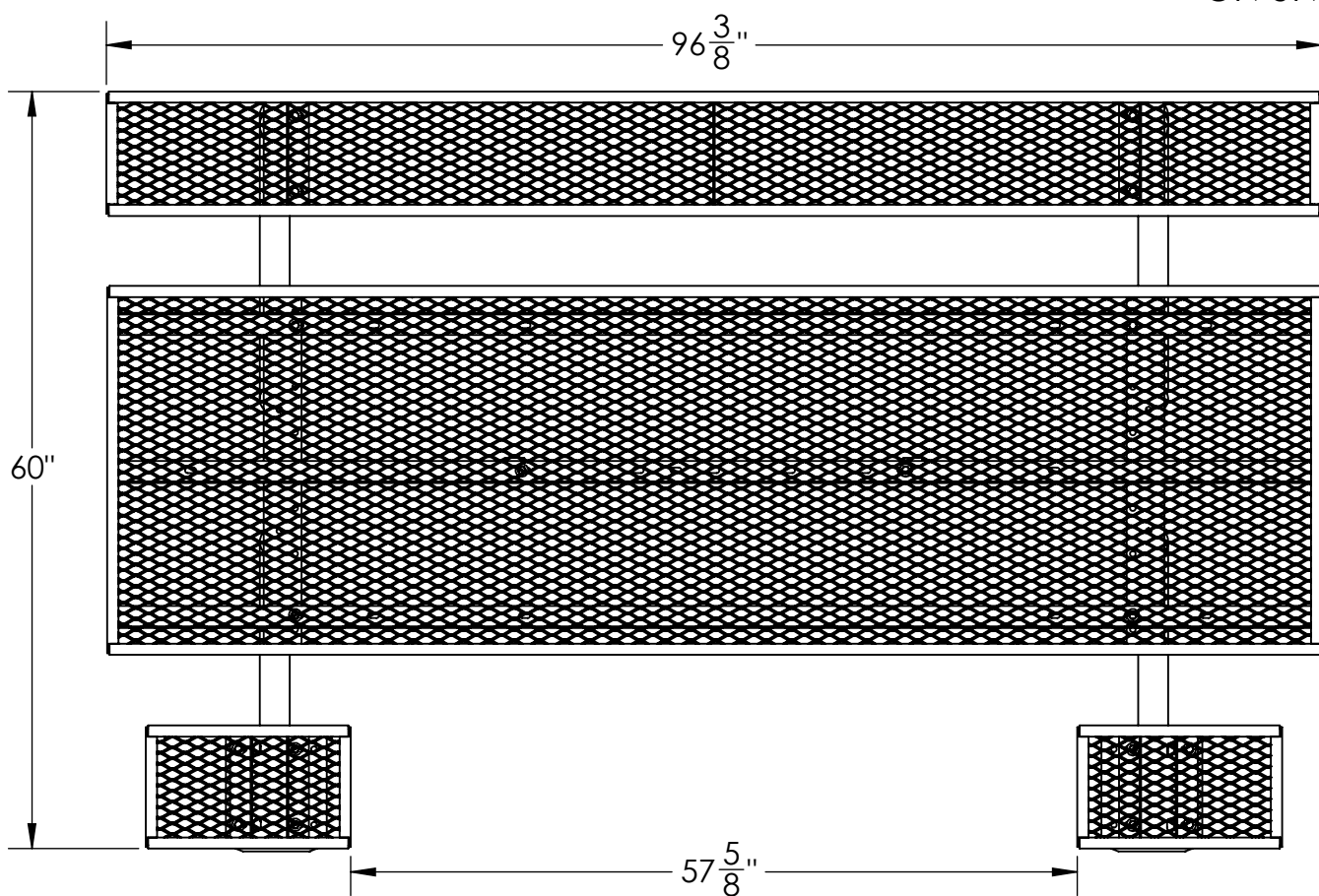
VINYL PLASTISOL COATED EXPANDED METAL SEATS AND TOP

TABLE RESTS ON OUTSIDE 4 CORNERS, THIS HELPS KEEP THE TABLE FROM ROCKING ON UNEVEN GROUND



SEAT SUPPORT FOR SINGLE HANDICAP COMPANION SEAT

2 3/8" O.D. HOT DIPPED GALVANIZED TUBING



WGT: 240 LBS

GENERAL NOTES	DIMENSIONS ARE IN INCHES TOLERANCES: LINEAR: ± 1/16" ANGULAR: ± 1°		⊕	SHEET SIZE <b>B</b>	SCALE <b>1:15</b>	REV	<b>Kay Park Rec.</b> 8' HANDICAP TABLE W/ VP SEATS AND TOP
	CONFIDENTIAL DRAWING. INFORMATION IS NOT TO BE COPIED OR DISCLOSED TO OTHERS WITHOUT CONSENT OF KAY INDUSTRIES. SPECIFICATIONS SUBJECT TO CHANGE WITHOUT NOTICE.			DRAWN BY JNB	5/23/2017	DESC:	
				APPROVED		MATL:	
				LAST SAVED	johnb	5/23/2017	