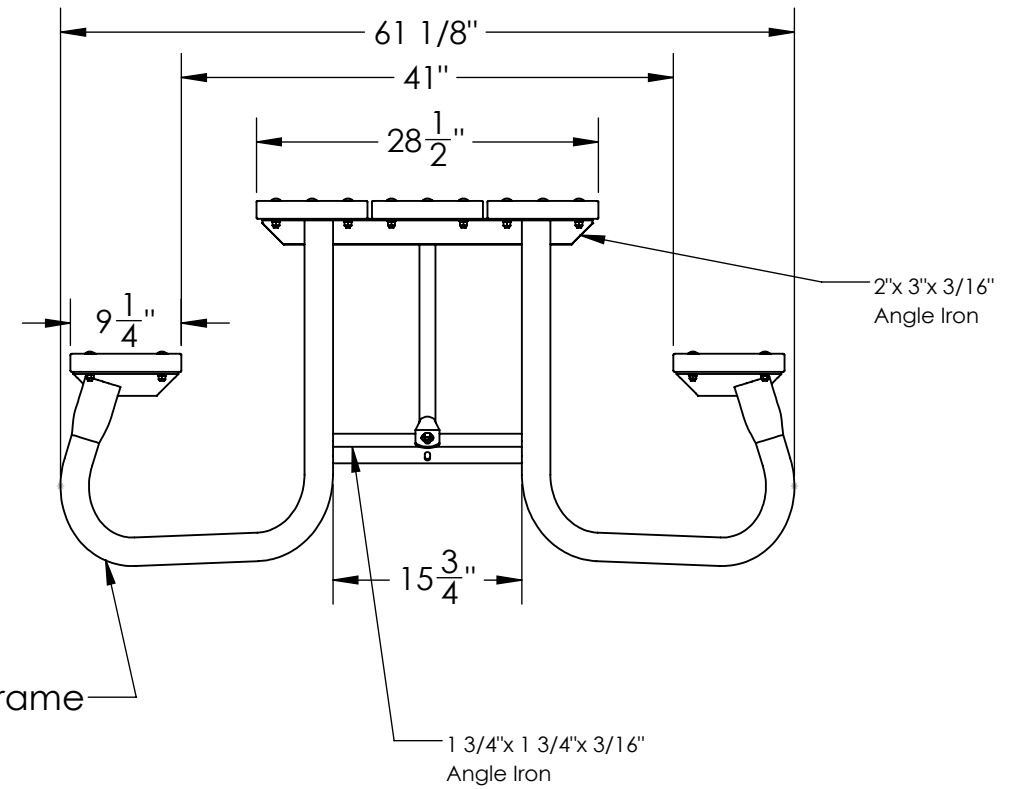
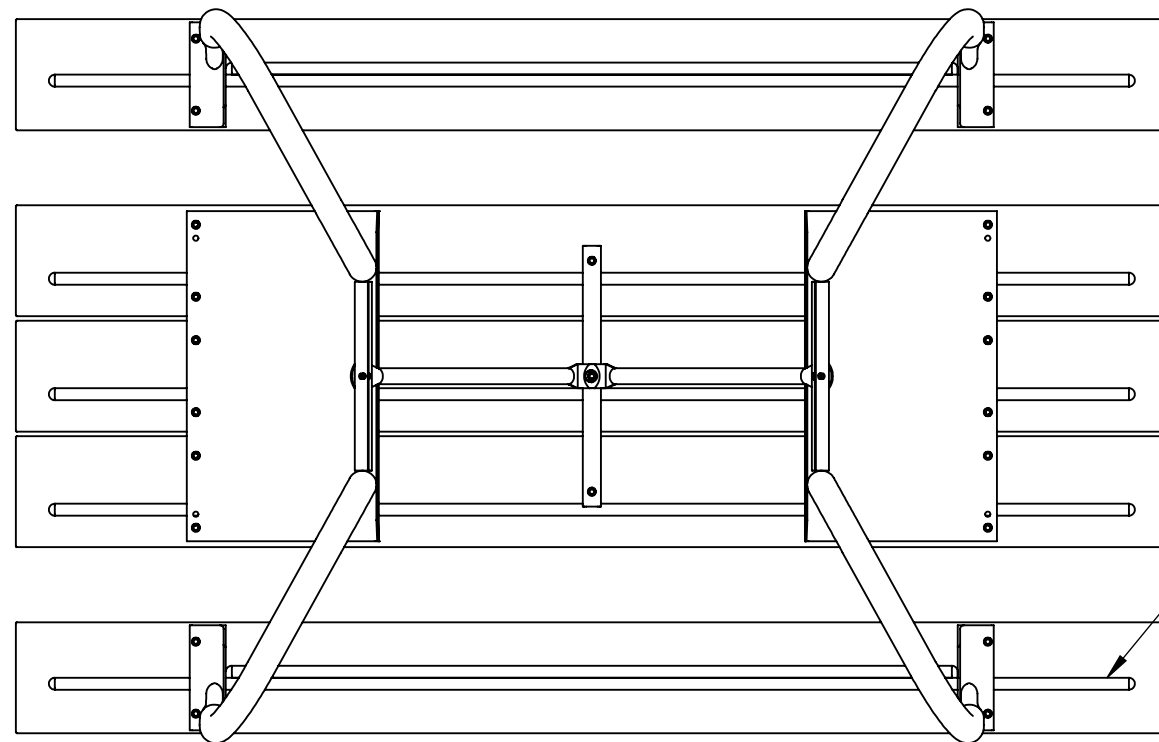


1 5/16" O.D. Galvanized Tube Brace

Galvanized or Powder Coated Legs



2 3/8" O.D. Tube Frame



2" x 10" 100% Recycled Plastic, Available in Gray, Brown, Cedar

1" x 1" x 11ga Square Tubing For Rienforcement One Per Plank

GENERAL NOTES

WEIGHT: 350 LBS.

DIMENSIONS ARE IN INCHES
TOLERANCES: LINEAR: ± 1/16"
ANGULAR: ± 1°



SHEET SIZE
B

SCALE
1:24

REV



Kay Park Rec.

CONFIDENTIAL DRAWING.
INFORMATION IS NOT TO BE COPIED OR
DISCLOSED TO OTHERS WITHOUT
CONSENT OF KAY INDUSTRIES.
SPECIFICATIONS SUBJECT TO CHANGE
WITHOUT NOTICE.

DRAWN BY

2/17/2017

DESC:

8" HANDICAP TABLE WITH RP TOP AND SEATS

APPROVED

MATL:

LAST SAVED

davet

2/23/2017

PART NO: 8J2GRRPUWC