

Table Rests On 4 Outside Corners to Improve Stability On Uneven Ground

**Table Frame Can Be Either Powder Coated To A Color Or Galvanized Per Customers Request**

GENERAL NOTES

**UNIT WEIGHT: 269 LBS.**

Built In House  
PATH TO PART OR ASSM - S:\CADDRWGS\Solidworks\Tables\J2\New Handicap Table 062016\

DIMENSIONS ARE IN INCHES  
TOLERANCES: LINEAR: ± 1/16  
ANGULAR: ± 1°

CONFIDENTIAL DRAWING.  
INFORMATION IS NOT TO BE COPIED OR DISCLOSED TO OTHERS WITHOUT CONSENT OF KAY INDUSTRIES.  
SPECIFICATIONS SUBJECT TO CHANGE WITHOUT NOTICE.

SHEET SIZE  
**B**  
DRAWN BY  
APPROVED  
LAST SAVED

SCALE  
**1:24**  
DAT  
davet

REV  
4/19/2018  
4/20/2018



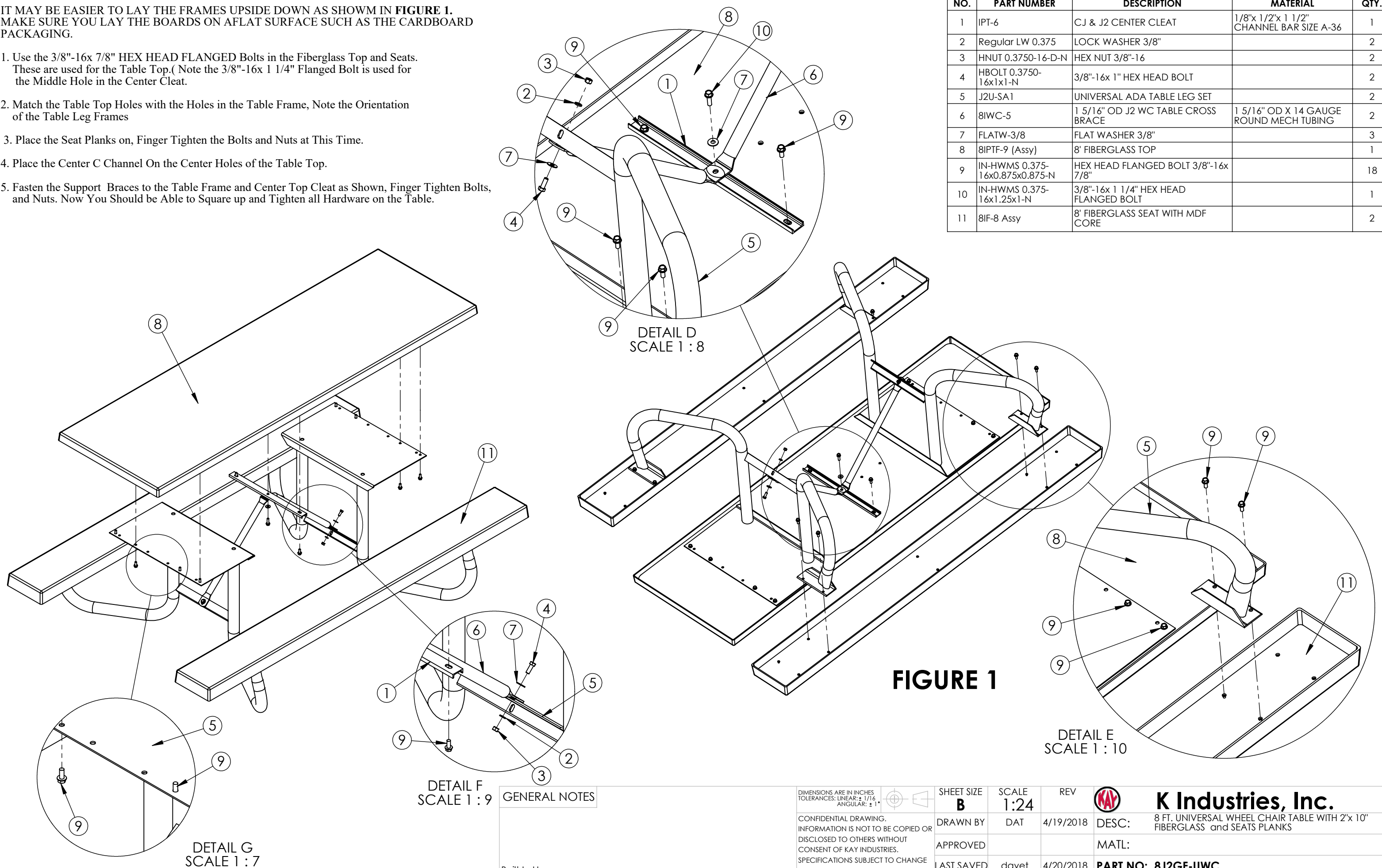
**K Industries, Inc.**

DESC: 8 FT. UNIVERSAL WHEEL CHAIR TABLE WITH 2' x 10" FIBERGLASS and SEATS PLANKS  
MATL:  
**PART NO: 8J2GF-UWC**

IT MAY BE EASIER TO LAY THE FRAMES UPSIDE DOWN AS SHOWN IN **FIGURE 1**. MAKE SURE YOU LAY THE BOARDS ON A FLAT SURFACE SUCH AS THE CARDBOARD PACKAGING.

1. Use the 3/8"-16x 7/8" HEX HEAD FLANGED Bolts in the Fiberglass Top and Seats. These are used for the Table Top. (Note the 3/8"-16x 1 1/4" Flanged Bolt is used for the Middle Hole in the Center Cleat.
2. Match the Table Top Holes with the Holes in the Table Frame, Note the Orientation of the Table Leg Frames
3. Place the Seat Planks on, Finger Tighten the Bolts and Nuts at This Time.
4. Place the Center C Channel On the Center Holes of the Table Top.
5. Fasten the Support Braces to the Table Frame and Center Top Cleat as Shown, Finger Tighten Bolts, and Nuts. Now You Should be Able to Square up and Tighten all Hardware on the Table.

NO.	PART NUMBER	DESCRIPTION	MATERIAL	QTY.
1	IPT-6	CJ & J2 CENTER CLEAT	1/8"x 1/2"x 1 1/2" CHANNEL BAR SIZE A-36	1
2	Regular LW 0.375	LOCK WASHER 3/8"		2
3	HNU1 0.3750-16-D-N	HEX NUT 3/8"-16		2
4	HBOLT 0.3750-16x1x1-N	3/8"-16x 1" HEX HEAD BOLT		2
5	J2U-SA1	UNIVERSAL ADA TABLE LEG SET		2
6	8IWC-5	1 5/16" OD J2 WC TABLE CROSS BRACE	1 5/16" OD X 14 GAUGE ROUND MECH TUBING	2
7	FLATW-3/8	FLAT WASHER 3/8"		3
8	8IPTF-9 (Assy)	8' FIBERGLASS TOP		1
9	IN-HWMS 0.375-16x0.875x0.875-N	HEX HEAD FLANGED BOLT 3/8"-16x 7/8"		18
10	IN-HWMS 0.375-16x1.25x1-N	3/8"-16x 1 1/4" HEX HEAD FLANGED BOLT		1
11	8IF-8 Assy	8' FIBERGLASS SEAT WITH MDF CORE		2



**FIGURE 1**

**GENERAL NOTES**

CONFIDENTIAL DRAWING. INFORMATION IS NOT TO BE COPIED OR DISCLOSED TO OTHERS WITHOUT CONSENT OF KAY INDUSTRIES. SPECIFICATIONS SUBJECT TO CHANGE WITHOUT NOTICE.

DIMENSIONS ARE IN INCHES  
TOLERANCES: LINEAR: ± 1/16"  
ANGULAR: ± 1°

SHEET SIZE **B**  
SCALE 1:24  
REV  
DRAWN BY DAT 4/19/2018  
APPROVED  
LAST SAVED dave1 4/20/2018

**K Industries, Inc.**  
DESC: 8 FT. UNIVERSAL WHEEL CHAIR TABLE WITH 2'x 10" FIBERGLASS and SEATS PLANKS  
MATL:  
**PART NO: 8J2GF-UWC**

Built In House

PATH TO PART OR ASSM - S:\CADDRWGS\Solidworks\Tables\J2\New Handicap Table 062016\

Configuration - Default

4/20/2018 10:49:53

SHEET 2 OF 2