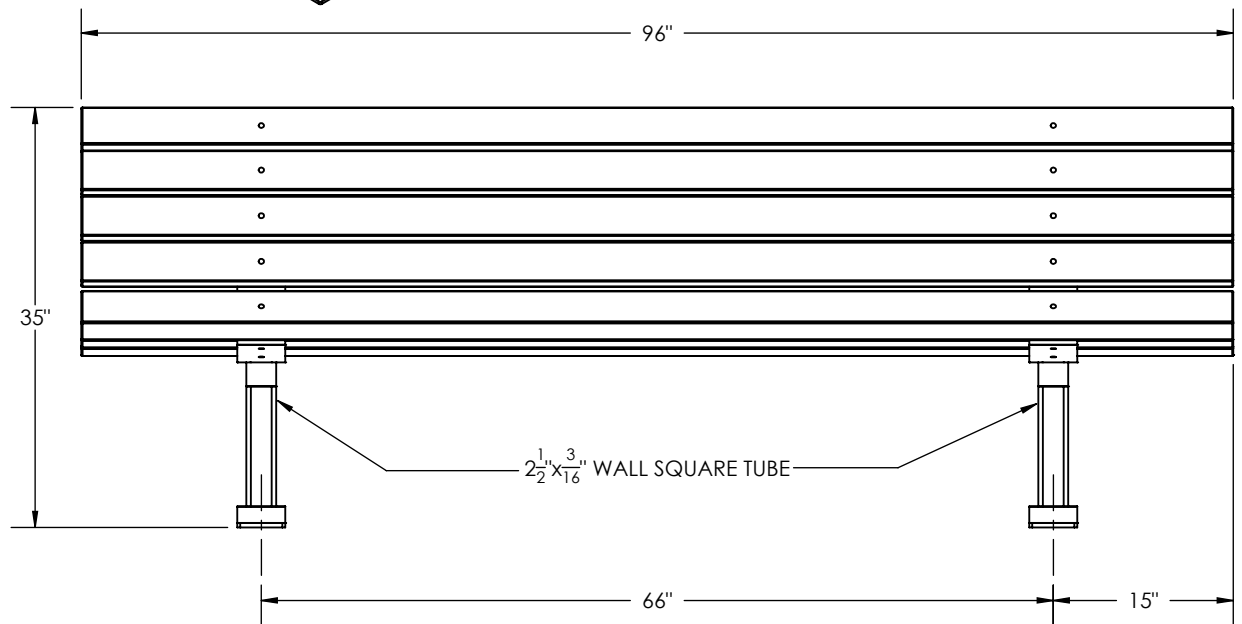
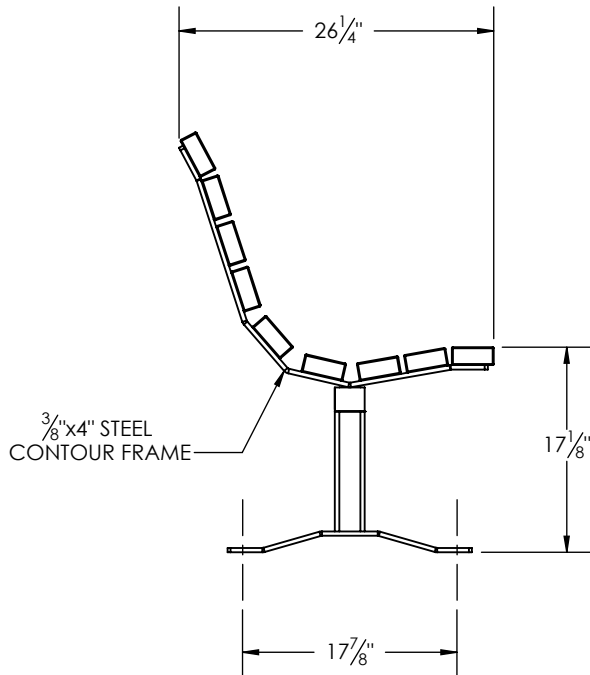
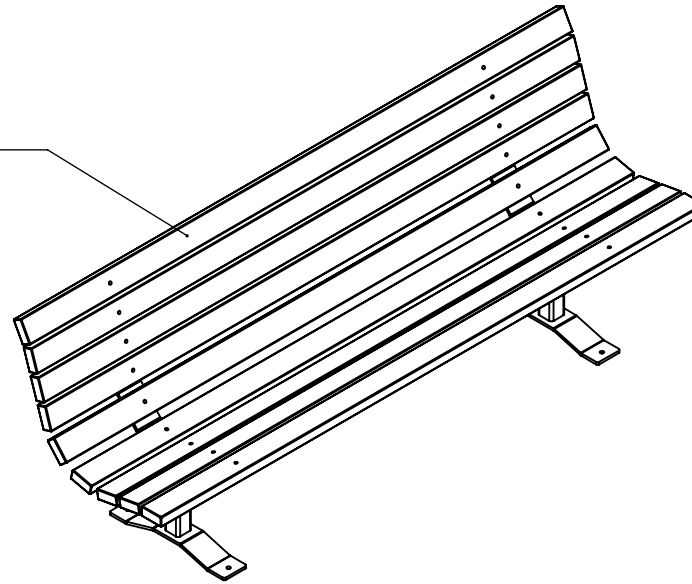


2"x4" PRESSURE TREATED  
No. 1 SOUTHERN YELLOW PINE



Sheet 1 of 1

Initials

Date

**Spec Drawing**

Model #: 8CB2SYP

**Kay Park-Rec Corp.**

Drawn by

BGS

6/5/2014

Description: 8' 2x4 SURFACE MOUNT COUTOUR BENCH

1301 Pine Street  
Janesville, IA 50647

Note: This drawing and all information contained herein is the property of Kay Park Rec. and is not to be reproduced without express written permission. Kay Park Rec. assumes no responsibility for unauthorized use of this drawing.

Material: COATED STEEL, TREATED YELLOW PINE

1-800-553-2476  
WWW.KAYPARK.COM

Weight: 186 lbs

