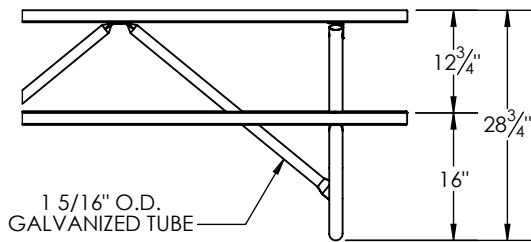
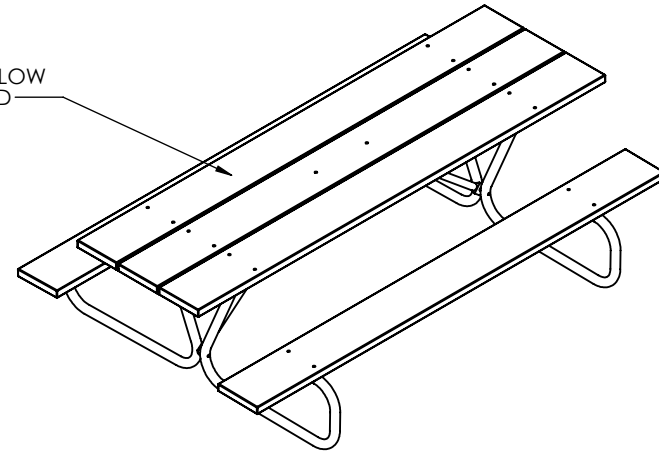
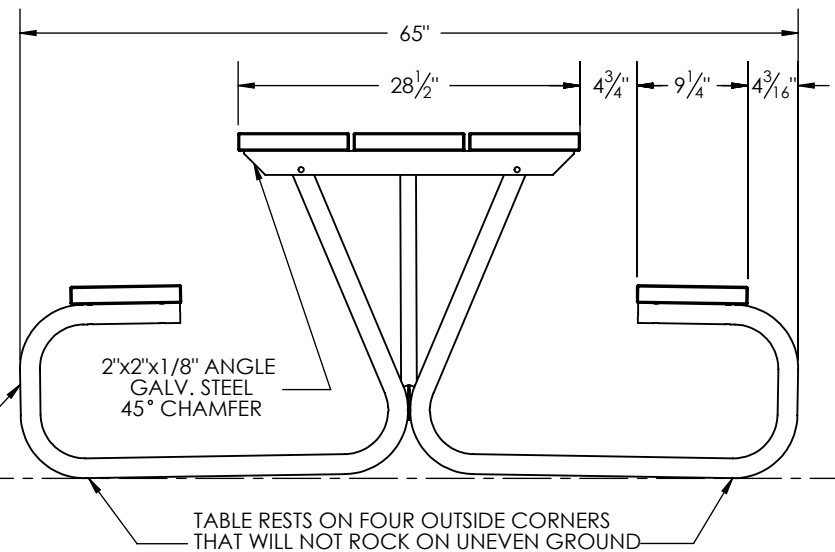


2" X 10" #1 SOUTHERN YELLOW PINE PRESSURE TREATED



1 5/8" O.D. GALVANIZED HIGH TENSILE TUBE FOR LONGER LIFE



Sheet 1 of 1

Initials

Date

Spec Drawing

Model #: 8BGW

Kay Park-Rec Corp.

Drawn by

BGS

6/2/2014

Description: 1.66 OD TABLE FRAME W/6' 2X10

1301 Pine Street
Janesville, IA 50647

Note: This drawing and all information contained herein is the property of Kay Park Rec. and is not to be reproduced without express written permission. Kay Park Rec. assumes no responsibility for unauthorized use of this drawing.

Material: HIGH TENSILE GALV. TUBE, YELLOW PINE

Weight: 212 lbs

1-800-553-2476
WWW.KAYPARK.COM

